

POWERED BY **Dialog****Dialog eLink:** [Order File History](#)

Method for combining functionality of set of command calls into single logical button of rotatable navigation device, involves transmitting lowest priority command call to operating system, when highest priority command call is rejected

Patent Assignee: GOULD B E J; KEELY L B; MICROSOFT CORP; RICHARDSON A J; TEASLEY B E; TSANG M H; VONG W H

Inventors: BEAR E G J; BEAR E J G; FOGARTY M D; GOULD B E J; GREENE R; HINCKLEY K P; KEELY L B; RICHARDSON A J; TEASLEY B E; TSANG M H; VONG W H; KELLY L B

Patent Family (9 patents, 105 countries)

Patent Number	Kind	Date	Application Number	Kind	Date	Update	Type
WO 2004061592	A2	20040722	WO 2003US39796	A	20031215	200453	B
AU 2003297076	A1	20040729	AU 2003297076	A	20031215	200477	E
US 20040227731	A1	20041118	US 2002433914	P	20021216	200477	E
			US 2003430996	A	20030505		
			US 2004768777	A	20040130		
EP 1573710	A2	20050914	EP 2003811679	A	20031215	200560	E
			WO 2003US39796	A	20031215		
JP 2006510134	W	20060323	WO 2003US39796	A	20031215	200623	E
			JP 2005508587	A	20031215		
AU 2003297076	A8	20051110	AU 2003297076	A	20031215	200634	E
IN 200401136	P1	20060728	WO 2003US39796	A	20031215	200658	E
			IN 2004DN1136	A	20040428		
CN 1774737	A	20060517	CN 200380100005	A	20031215	200663	E
KR 2005113547	A	20051202	WO 2003US39796	A	20031215	200668	E
			KR 2004708325	A	20040531		

Priority Application Number (Number Kind Date): US 2002433914 P 20021216; US 2003430996 A 20030505; US 2004768777 A 20040130

Patent Details

Patent Number	Kind	Language	Pages	Drawings	Filing Notes
WO 2004061592	A2	EN	64	21	
National		AE AG AL AM AT AU AZ BA BB BG BR BW BY BZ CA CH CN CO CR CU CZ DE DK DM DZ EC EE EG ES FI GB GD GE GH GM HR HU ID IL IN IS JP KE KG KP KR KZ LC LK LR LS LT LU LV			

Designated States,Original	MA MD MG MK MN MW MX MZ NO NZ OM PG PH PL PT RO RU SC SD SE SG SK SL SY TJ TM TN TR TT TZ UA UG UZ VC VN YU ZA ZM ZW			
Regional Designated States,Original	AT BE BG BW CH CY CZ DE DK EA EE ES FI FR GB GH GM GR HU IE IT KE LS LU MC MW MZ NL OA PT RO SD SE SI SK SL SZ TR TZ UG ZM ZW			
AU 2003297076	A1	EN		Based on OPI patent WO 2004061592
US 20040227731	A1	EN		Related to Provisional US 2002433914 Continuation of application US 2003430996
EP 1573710	A2	EN		PCT Application WO 2003US39796 Based on OPI patent WO 2004061592
Regional Designated States,Original	AL AT BE BG CH CY CZ DE DK EE ES FI FR GB GR HU IE IT LI LT LU LV MC MK NL PT RO SE SI SK TR			
JP 2006510134	W	JA	37	PCT Application WO 2003US39796 Based on OPI patent WO 2004061592
AU 2003297076	A8	EN		Based on OPI patent WO 2004061592
IN 200401136	P1	EN		PCT Application WO 2003US39796
KR 2005113547	A	KO		PCT Application WO 2003US39796 Based on OPI

patent WO 2004061592

Alerting Abstract: WO A2

NOVELTY - A set of calls of commands such as back and escape is prioritized from highest priority to lowest priority. When highest priority command call is rejected by an application, the lowest priority command call is recognized and transmitted to operating system.

DESCRIPTION - INDEPENDENT CLAIMS are also included for the following:

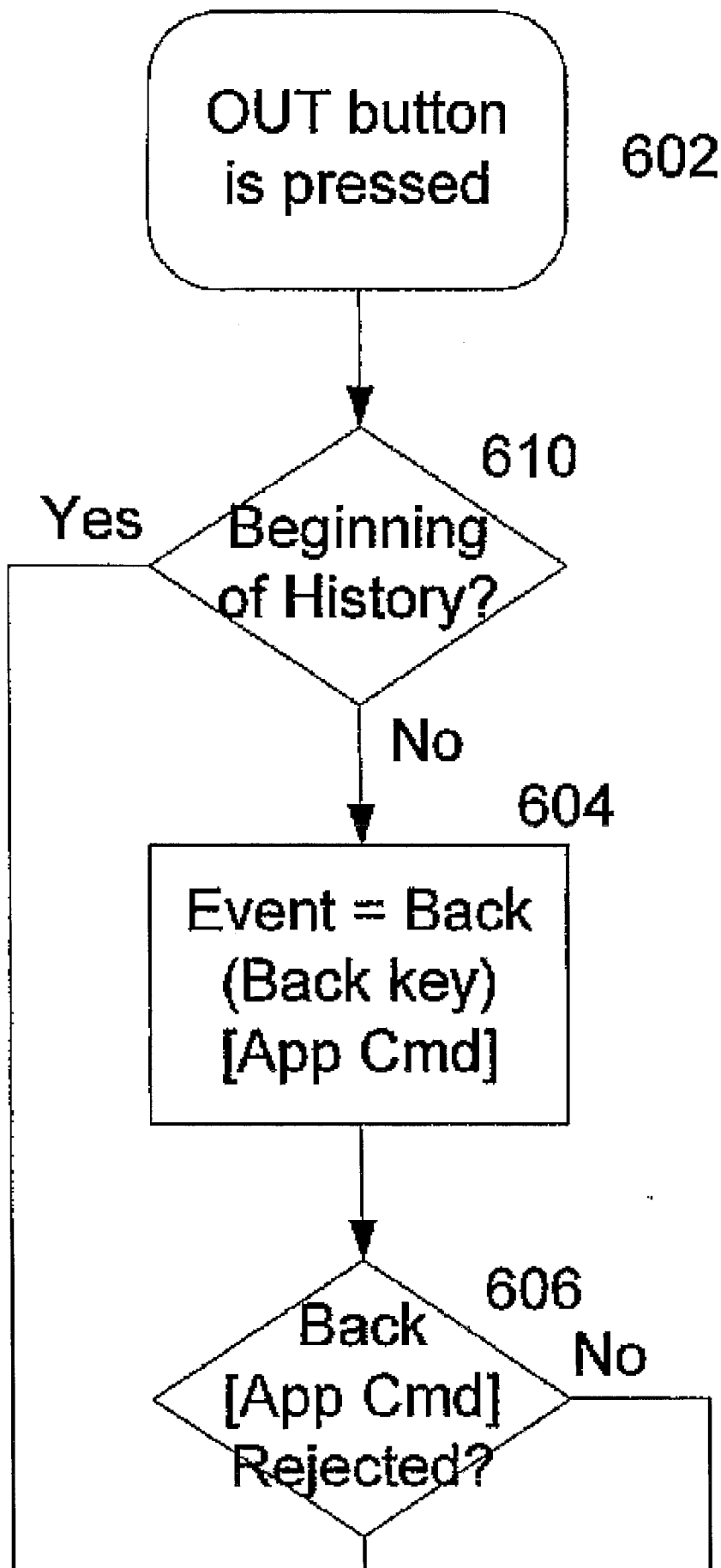
1.commands cascading method; 2.user interface system; 3.computer readable recorded medium storing computer-readable instructions for combining functionality of set of command calls; and 4.hardware control device.

USE - For combining functionality of commands such as back, tab, right arrow, shift-tab, page down, scroll down, down arrow, home, shift-F10 and escape into single logical button of user interface system (claimed) and hardware control device (claimed) e.g. rocking wheel and dog bone device, clicking wheel and dog bone device, super wheel and dog bone device, rotatable navigation device, touch screen, keyboard, joy stick, D-pad, touch pad and touch strip for navigating object e.g. dialog box, menu, web page, virtual book, text page, movable drawing object and audio objects in tablet personal computer, wireless display, remote control, key job, wristwatch, smart phone, music player, gaming console, handheld computer, portable computer, mobile phone and mechanical device.

ADVANTAGE - Enables to effectively combine functionality of command calls into single logical button.

DESCRIPTION OF DRAWINGS - The figure shows the flowchart explaining command functionality combining process.

Main Drawing Sheet(s) or Clipped Structure(s)



International Classification (Main): G06F-003/00, G09G-005/00

International Patent Classification

IPC	Level	Value	Position	Status	Version
G06F-0003/00	A	I		R	20060101
G06F-0003/048	A	I	F	B	20060101
G06F-0009/44	A	I	L	B	20060101
G09G-0005/00	A	I	F	B	20060101
G09G-0005/00	A	I		R	20060101
G09G-0005/08	A	I		R	20060101
G09G-0005/34	A	I		R	20060101
G06F	S	I		R	20060101
G06F-0003/00	C	I		R	20060101
G06F-0009/44	C	I	L	B	20060101
G09G-0005/00	C	I	F	B	20060101
G09G-0005/00	C	I		R	20060101
G09G-0005/08	C	I		R	20060101
G09G-0005/34	C	I		R	20060101

US Classification, Issued: 345-160000

US Classification, Issued: 345-156000, 345-184000

US Classification, Issued: 345160, 345156, 345184

Original Publication Data by Authority

Australia

Publication Number: AU 2003297076 A1 (Update 200477 E)

Publication Date: 20040729

****SYSTEMS AND METHODS FOR INTERFACING WITH COMPUTER DEVICES****

Assignee: MICROSOFT CORP (MICT)

Inventor: BEAR E G J VONG W H KEELY L B TEASLEY B E RICHARDSON A J TSANG M H

Language: EN

Application: AU 2003297076 A 20031215 (Local application)

Priority: US 2002433914 P 20021216 US 2003430996 A 20030505

Related Publication: WO 2004061592 A (Based on OPI patent)

Current IPC: G06F(R,I,M,EP,20060101,20051206,S) G09G-5/00(R,I,M,EP,20060101,20051206,A)

G09G-5/00(R,I,M,EP,20060101,20051206,C) G09G-5/08(R,I,M,EP,20060101,20051206,A) G09G-

5/08(R,I,M,EP,20060101,20051206,C)|AU 2003297076 A8 (Update 200634 E)

Publication Date: 20051110

Assignee: MICROSOFT CORP (MICT)

Inventor: KEELY L B TEASLEY B E VONG W H RICHARDSON A J TSANG M H BEAR E G J

Language: EN

Application: AU 2003297076 A 20031215 (Local application)

Priority: US 2002433914 P 20021216 US 2003430996 A 20030505

Related Publication: WO 2004061592 A (Based on OPI patent)

Original IPC: G09G-5/00(A)

Current IPC: G09G-5/00(A)

China

Publication Number: CN 1774737 A (Update 200663 E)

Publication Date: 20060517

Assignee: MICROSOFT CORP; US (MICT)

Inventor: BEAR E J G VONG W H KEELY L B TEASLEY B E RICHARDSON A J TSANG M H
FOGARTY M D HINCKLEY K P

Language: ZH

Application: CN 200380100005 A 20031215 (Local application)

Priority: US 2002433914 P 20021216 US 2003430996 A 20030505

Original IPC: G09G-5/00(I,CN,20060101,A,F)

Current IPC: G09G-5/00(B,A,I,H,CN,20060101,20060517,A,F) G09G-5/00
(B,I,H,CN,20060101,20060517,C,F)

European Patent Office

Publication Number: EP 1573710 A2 (Update 200560 E)

Publication Date: 20050914

****SYSTEME UND VERFAHREN ZUR ANSCHALTUNG MIT COMPUTEREINRICHTUNGEN
SYSTEMS AND METHODS FOR INTERFACING WITH COMPUTER DEVICES SYSTEMES ET
PROCEDES D'INTERFACAGE DE DISPOSITIFS INFORMATIQUES****

Assignee: MICROSOFT CORPORATION, One Microsoft Way, Redmond, WA 98052-6399, US

Inventor: BEAR, Eric, Gould, J., 3905 132nd Avenue, Bellevue, WA 98005, US VONG, William,
Hong, 917 Lake Washington Blvd. S., Seattle, WA 98144, US KEELY, Leroy, B., 210 Gabarda Way,
Portola Valley, CA 94028, US TEASLEY, Barbee, E., 651 Prospect Street, Leavenworth, WA 98826,
US RICHARDSON, Adam, J., 840 59th Street, Oakland, CA 94608, US TSANG, Michael, H., 15818
S.E. 45th Place, Bellevue, WA 98006, US

Agent: Grunecker, Kinkeldey, Stockmair Schwanhausser, Anwaltssozietat, Maximilianstrasse 58, 80538
Munchen, DE

Language: EN

Application: EP 2003811679 A 20031215 (Local application) WO 2003US39796 A 20031215 (PCT
Application)

Priority: US 2002433914 P 20021216 US 2003430996 A 20030505

Related Publication: WO 2004061592 A (Based on OPI patent)

Designated States: (Regional Original) AL AT BE BG CH CY CZ DE DK EE ES FI FR GB GR HU IE
IT LI LT LU LV MC MK NL PT RO SE SI SK TR

Original IPC: G09G-5/00(A)

Current IPC: G06F(R,I,M,EP,20060101,20070224,S) G06F-3/00(R,I,M,EP,20060101,20070224,A)
G06F-3/00(R,I,M,EP,20060101,20070224,C) G06F-9/44(B,I,H,EP,20060101,20071018,A,L) G06F-
9/44(B,I,H,EP,20060101,20071018,C,L) G09G-5/00(B,I,H,EP,20060101,20050301,A,F) G09G-5/00
(B,I,H,EP,20060101,20050301,C,F) G09G-5/08(R,I,M,EP,20060101,20070224,A) G09G-5/08
(R,I,M,EP,20060101,20070224,C) G09G-5/34(R,I,M,EP,20060101,20070224,A) G09G-5/34
(R,I,M,EP,20060101,20070224,C)

Original Abstract: The present invention provides a systems, methods, and products for enhanced user navigation to compliment (but not necessarily replace) a computer keyboard and mouse by providing a robust navigation interface. The present invention may comprise: a minimally necessary group of commands; combining the functionality a set of at least two command calls into a single logical button; for a single button, prioritizing a set of command calls from first to last and then calling each until one is accepted; logically remapping commands to buttons for a navigational device coupled to a physically

rotate-able display device; and mapping a substitute command to a logical button for when the button is engaged in a predetermined manner other than the primary manner in which the logical button is engaged (e.g., double-clicking, flicking, press-and-hold, etc.) so that a substitute command can in fact be issued, among others.

India

Publication Number: IN 200401136 P1 (Update 200658 E)

Publication Date: 20060728

Assignee: MICROSOFT CORP; US (MICT)

Inventor: GOULD B E J VONG W H KEELY L B TEASLEY B E RICHARDSON A J TSANG M H GREENE R FOGARTY M D

Language: EN

Application: WO 2003US39796 A 20031215 (PCT Application) IN 2004DN1136 A 20040428 (Local application)

Priority: US 2002433914 P 20021216 US 2003430996 A 20030505

Original IPC: G09G-5/00(A)

Current IPC: G09G-5/00(A)

Japan

Publication Number: JP 2006510134 W (Update 200623 E)

Publication Date: 20060323

Language: JA (37 pages)

Application: WO 2003US39796 A 20031215 (PCT Application) JP 2005508587 A 20031215 (Local application)

Priority: US 2002433914 P 20021216 US 2003430996 A 20030505

Related Publication: WO 2004061592 A (Based on OPI patent)

Original IPC: G06F-3/048(B,I,H,JP,20060101,20060224,A,F)

Current IPC: G06F-3/048(B,I,H,JP,20060101,20060224,A,F)

Republic of Korea

Publication Number: KR 2005113547 A (Update 200668 E)

Publication Date: 20051202

Assignee: MICROSOFT CORP (MICT)

Inventor: BEAR E J G VONG W H KELLY L B TEASLEY B E RICHARDSON A J TSANG M H

Language: KO

Application: WO 2003US39796 A 20031215 (PCT Application) KR 2004708325 A 20040531 (Local application)

Priority: US 2002433914 P 20021216 US 2003430996 A 20030505

Related Publication: WO 2004061592 A (Based on OPI patent)

Original IPC: G06F-3/00(A) G09G-5/00(B) G09G-5/34(B)

Current IPC: G06F-3/00(A) G09G-5/00(B) G09G-5/34(B)

United States

Publication Number: US 20040227731 A1 (Update 200477 E)

Publication Date: 20041118

Systems and methods for interfacing with computer devices

Assignee: Gould Bear, Eric Justin, Bellevue, WA, US (GOUL-I) Vong, William Hong, Seattle, WA, US (VONG-I) Keely, Leroy Bertrand, Portola Valley, CA, US (KEEL-I) Teasley, Barbee Eve, Leavenworth, WA, US (TEAS-I) Richardson, Adam John, Oakland, CA, US (RICH-I) Tsang, Michael H., Bellevue, WA, US (TSAN-I)

Inventor: Gould Bear, Eric Justin, Bellevue, WA, US Vong, William Hong, Seattle, WA, US Keely,

Leroy Bertrand, Portola Valley, CA, US Teasley, Barbee Eve, Leavenworth, WA, US Richardson, Adam John, Oakland, CA, US Tsang, Michael H., Bellevue, WA, US
 Agent: WOODCOCK WASHBURN LLP, ONE LIBERTY PLACE, 46TH FLOOR, 1650 MARKET STREET, PHILADELPHIA, PA, US

Language: EN

Application: US 2002433914 P 20021216 (Related to Provisional) US 2003430996 A 20030505
 (Continuation of application) US 2004768777 A 20040130 (Local application)

Original IPC: G09G-5/08(A) G09G-5/00(B)

Current IPC: G06F(R,I,M,EP,20060101,20051206,S) G09G-5/00(R,I,M,EP,20060101,20051206,A)
 G09G-5/00(R,I,M,EP,20060101,20051206,C) G09G-5/08(R,I,M,EP,20060101,20051206,A) G09G-5/08(R,I,M,EP,20060101,20051206,C)

Current US Class (main): 345-160000

Current US Class (secondary): 345-156000 345-184000

Original US Class (main): 345160

Original US Class (secondary): 345156 345184

Original Abstract: The present invention provides a systems, methods, and products for enhanced user navigation to compliment (but not necessarily replace) a computer keyboard and mouse by providing a robust navigation interface. The present invention may comprise: a minimally necessary group of commands; combining the functionality a set of at least two command calls into a single logical button; for a single button, prioritizing a set of command calls from first to last and then calling each until one is accepted; logically remapping commands to buttons for a navigational device coupled to a physically rotate-able display device; and mapping a substitute command to a logical button for when the button is engaged in a predetermined manner other than the primary manner in which the logical button is engaged (e.g., double-clicking, flicking, press-and-hold, etc.) so that a substitute command can in fact be issued, among others.

Claim: What is claimed is: 1.**1**. A method for combining the functionality a set of at least two command calls into a single logical button, said method comprising: * prioritizing the set of command calls from highest priority to lowest priority; * recognizing when a command call is rejected by an application and sending at least one lower priority command call.

WIPO

Publication Number: WO 2004061592 A2 (Update 200453 B)

Publication Date: 20040722

****SYSTEMS AND METHODS FOR INTERFACING WITH COMPUTER DEVICES SYSTEMES ET PROCEDES D'INTERFACAGE DE DISPOSITIFS INFORMATIQUES****

Assignee: MICROSOFT CORPORATION, One Microsoft Way, Redmond, WA 98052-6399, US

Residence: US Nationality: US (MICT)

Inventor: BEAR, Eric, Gould, J., 3905 132nd Avenue, Bellevue, WA 98005, US VONG, William, Hong, 917 Lake Washington Blvd. S., Seattle, WA 98144, US KEELY, Leroy, B., 210 Gabarda Way, Portola Valley, CA 94028, US TEASLEY, Barbee, E., 651 Prospect Street, Leavenworth, WA 98826, US RICHARDSON, Adam, J., 840 59th Street, Oakland, CA 94608, US TSANG, Michael, H., 15818 S.E. 45th Place, Bellevue, WA 98006, US

Agent: ROCCI, Steven, J., Woodcock Washburn LLP, 46th floor, One Liberty Place, Philadelphia, PA 19103, US

Language: EN (64 pages, 21 drawings)

Application: WO 2003US39796 A 20031215 (Local application)

Priority: US 2002433914 P 20021216 US 2003430996 A 20030505

Designated States: (National Original) AE AG AL AM AT AU AZ BA BB BG BR BW BY BZ CA CH CN CO CR CU CZ DE DK DM DZ EC EE EG ES FI GB GD GE GH GM HR HU ID IL IN IS JP KE KG KP KR KZ LC LK LR LS LT LU LV MA MD MG MK MN MW MX MZ NO NZ OM PG PH PL PT RO RU SC SD SE SG SK SL SY TJ TM TN TR TT TZ UA UG UZ VC VN YU ZA ZM ZW

(Regional Original) AT BE BG BW CH CY CZ DE DK EA EE ES FI FR GB GH GM GR HU IE IT
KE LS LU MC MW MZ NL OA PT RO SD SE SI SK SL SZ TR TZ UG ZM ZW

Original IPC: G06F(A)

Current IPC: G06F(R,I,M,EP,20060101,20051206,S) G09G-5/00(R,I,M,EP,20060101,20051206,A)
G09G-5/00(R,I,M,EP,20060101,20051206,C) G09G-5/08(R,I,M,EP,20060101,20051206,A) G09G-
5/08(R,I,M,EP,20060101,20051206,C)

Original Abstract: The present invention provides a systems, methods, and products for enhanced user navigation to compliment (but not necessarily replace) a computer keyboard and mouse by providing a robust navigation interface. The present invention may comprise: a minimally necessary group of commands; combining the functionality a set of at least two command calls into a single logical button; for a single button, prioritizing a set of command calls from first to last and then calling each until one is accepted; logically remapping commands to buttons for a navigational device coupled to a physically rotate-able display device; and mapping a substitute command to a logical button for when the button is engaged in a predetermined manner other than the primary manner in which the logical button is engaged (e.g., double-clicking, flicking, press-and-hold, etc.) so that a substitute command can in fact be issued, among others. La presente invention concerne des systemes, des procedes et des produits permettant a l'utilisateur d'accomplir une navigation amelioree, qui completent (sans necessairement remplacer) un clavier d'ordinateur et une souris, et fournissent une interface de navigation robuste. Les procedes de l'invention peuvent consister a: utiliser un groupe de commandes minimalement necessaires; combiner les fonctionnalites d'un ensemble d'au moins deux appels de commande en une seule touche logique; pour une touche unique, etablir un ordre de priorite pour un ensemble d'appels de commande, du premier au dernier, puis les invoquer un a un jusqu'a ce qu'un appel soit accepte; reconfigurer logiquement des commandes relativement a des touches d'un dispositif de navigation associe a un dispositif d'affichage physiquement orientable; et configurer une commande de substitution relativement a une touche logique pour prendre en charge une situation dans laquelle la touche est actionnee selon un mode preetabli autre que le mode d'activation principal (p. ex. double clic, basculement, maintien de la touche enfoncee, etc.), de sorte que, entre autres, une commande de substitution puisse reellement etre mise en oeuvre.

Derwent World Patents Index

© 2008 Derwent Information Ltd. All rights reserved.

Dialog® File Number 351 Accession Number 14364676

(19) 日本国特許庁(JP)

(12) 公表特許公報(A)

(11) 特許出願公表番号

特表2006-510134

(P2006-510134A)

(43) 公表日 平成18年3月23日(2006. 3. 23)

(51) Int. Cl. F I テーマコード (参考)
 G06F 3/048 (2006.01) G06F 3/00 654A 5E501

審査請求 未請求 予備審査請求 未請求 (全 37 頁)

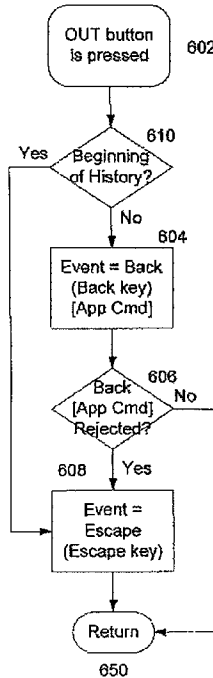
(21) 出願番号	特願2005-508587 (P2005-508587)	(71) 出願人	500046438 マイクロソフト コーポレーション アメリカ合衆国 ワシントン州 9805 2-6399 レッドモンド ワン マイ クロソフト ウェイ
(86) (22) 出願日	平成15年12月15日 (2003. 12. 15)	(74) 代理人	100077481 弁理士 谷 義一
(85) 翻訳文提出日	平成16年6月16日 (2004. 6. 16)	(74) 代理人	100088915 弁理士 阿部 和夫
(86) 国際出願番号	PCT/US2003/039796	(72) 発明者	エリック ジェイ. グールド ヘア アメリカ合衆国 98005 ワシントン 州 ベルビュー 132 アベニュー 3 905
(87) 国際公開番号	W02004/061592		
(87) 国際公開日	平成16年7月22日 (2004. 7. 22)		
(31) 優先権主張番号	60/433, 914		
(32) 優先日	平成14年12月16日 (2002. 12. 16)		
(33) 優先権主張国	米国 (US)		
(31) 優先権主張番号	10/430, 996		
(32) 優先日	平成15年5月5日 (2003. 5. 5)		
(33) 優先権主張国	米国 (US)		

最終頁に続く

(54) 【発明の名称】 コンピュータ装置とインタフェースをとるシステム及び方法

(57) 【要約】

本発明は、ロバスタなナビゲーションインタフェースを提供することによってコンピュータキーボード及びマウスを補完（必ずしも取って代わらない）する機能強化されたユーザナビゲーションのシステム、方法及び製品を提供する。本発明は、最小限必要なコマンドグループ；少なくとも2つのコマンドコールのセットの機能を結合して単一の論理的ボタンにすること；単一のボタンについて、コマンドコールのセットに対して最も高い優先順位から最も低い優先順位に優先付けを行い、1つのコマンドが受諾されるまで各コマンドをコールすること；物理的に回転可能な表示装置に結合されるナビゲーション装置のボタンにコマンドを論理的に再マッピングすること；および、論理的ボタンの主要な用いられ方（例えば、ダブルクリック、フリッキング、プレスアンドホールド等）以外の所定の方法で用いられる場合に代用コマンドを論理的ボタンに配置し、特に、代用コマンドが実際に発行されるようにすること、を備えることができる。



【特許請求の範囲】

【請求項 1】

少なくとも2つのコマンドコールのセットの機能を結合して単一の論理的ボタンにする方法において、
 コマンドコールのセットに対して最も高い優先順位から最も低い優先順位に優先付けを行うステップと、
 アプリケーションによってコマンドコールが拒否されたときを認識し、優先順位が低いコマンドコールを少なくとも一つ送信するステップと
 を含むことを特徴とする方法。

【請求項 2】

結合されるキーボードコマンドは、BackとEscapeであることを特徴とする請求項1記載の方法。

【請求項 3】

Backキーは、最上位に優先付けられ、Escapeキーは最下位に優先付けられることを特徴とする請求項2記載の方法。

【請求項 4】

最も優先順位が高いコマンドは、APPCOMMAND_UPであることを特徴とする請求項1記載の方法。

【請求項 5】

最も優先順位が高いコマンドは、APPCOMMAND_UPであり、それよりも優先順位が低いコマンドは、キーボードコマンドUP Arrowであることを特徴とする請求項1記載の方法。

【請求項 6】

最も優先順位が高いコマンドは、APPCOMMAND_UPであり、それよりも優先順位が低いコマンドは、キーボードコマンドScroll Upであることを特徴とする請求項1記載の方法。

【請求項 7】

最も優先順位が高いコマンドは、APPCOMMAND_UPであり、それよりも優先順位が低いコマンドは、キーボードコマンドPage UPであることを特徴とする請求項1記載の方法。

【請求項 8】

最も優先順位が高いコマンドは、APPCOMMAND_DOWNであることを特徴とする請求項1記載の方法。

【請求項 9】

最も優先順位が高いコマンドは、APPCOMMAND_DOWNであり、それよりも優先順位が低いコマンドは、キーボードコマンドDown Arrowであることを特徴とする請求項1記載の方法。

【請求項 10】

最も優先順位が高いコマンドは、APPCOMMAND_DOWNであり、それよりも優先順位が低いコマンドは、キーボードコマンドScroll Downであることを特徴とする請求項1記載の方法。

【請求項 11】

最も優先順位が高いコマンドは、APPCOMMAND_DOWNであり、それよりも優先順位が低いコマンドは、キーボードコマンドPage Downであることを特徴とする請求項1記載の方法。

【請求項 12】

最も優先順位が高いコマンドは、APPCOMMAND_NEXTであることを特徴とする請求項1記載の方法。

【請求項 13】

最も優先順位が高いコマンドは、APPCOMMAND_NEXTであり、それよりも優先順位が低いコマンドは、キーボードコマンドTabであることを特徴とする請求項1記載の方法。

【請求項 14】

最も優先順位が高いコマンドは、APPCOMMAND_NEXTであり、それよりも優先順位が低いコマンドは、キーボードコマンドRight Arrowであることを特徴とする請求項1記載の方法。

10

20

30

40

50

【請求項 15】

最も優先順位が高いコマンドは、APPCOMMAND_PREVであることを特徴とする請求項1記載の方法。

【請求項 16】

最も優先順位が高いコマンドは、APPCOMMAND_PREVであり、それよりも優先順位が低いコマンドは、キーボードコマンドShift-Tabであることを特徴とする請求項1記載の方法。

【請求項 17】

最も優先順位が高いコマンドは、APPCOMMAND_PREVであり、それよりも優先順位が低いコマンドは、キーボードコマンドLeft Arrowであることを特徴とする請求項1記載の方法。

【請求項 18】

最も優先順位が高いコマンドは、APPCOMMAND_ENTERであることを特徴とする請求項1記載の方法。

10

【請求項 19】

最も優先順位が高いコマンドは、APPCOMMAND_ENTERであり、それよりも優先順位が低いコマンドは、キーボードコマンドReturnであることを特徴とする請求項1記載の方法。

【請求項 20】

最も優先順位が高いコマンドは、APPCOMMAND_ENTERであり、それよりも優先順位が低いコマンドは、キーボードコマンドEnterであることを特徴とする請求項1記載の方法。

【請求項 21】

最も優先順位が高いコマンドは、APPCOMMAND_ENTERであり、それよりも優先順位が低いコマンドは、特別コマンドPlayであることを特徴とする請求項1記載の方法。

20

【請求項 22】

最も優先順位が高いコマンドは、APPCOMMAND_OUTであることを特徴とする請求項1記載の方法。

【請求項 23】

最も優先順位が高いコマンドは、APPCOMMAND_OUTであり、それよりも優先順位が低いコマンドは、キーボードコマンドBrowser Backであることを特徴とする請求項1記載の方法。

【請求項 24】

最も優先順位が高いコマンドは、APPCOMMAND_OUTであり、それよりも優先順位が低いコマンドは、キーボードコマンドEscapeであることを特徴とする請求項1記載の方法。

30

【請求項 25】

最も優先順位が高いコマンドは、APPCOMMAND_OUTであり、それよりも優先順位が低いコマンドは、特別コマンドStopであることを特徴とする請求項1記載の方法。

【請求項 26】

最も優先順位が高いコマンドは、APPCOMMAND_OUTであり、それよりも優先順位が低いコマンドは、キーボードコマンドAlt-F4であることを特徴とする請求項1記載の方法。

【請求項 27】

最も優先順位が高いコマンドは、APPCOMMAND_SWITCHであることを特徴とする請求項1記載の方法。

【請求項 28】

最も優先順位が高いコマンドは、APPCOMMAND_SWITCHであり、それよりも優先順位が低いコマンドは、キーボードコマンドAlt-Escapeであることを特徴とする請求項1記載の方法。

40

。

【請求項 29】

最も優先順位が高いコマンドは、APPCOMMAND_SWITCHであり、それよりも優先順位が低いコマンドは、キーボードコマンドAlt-Tabであることを特徴とする請求項1記載の方法。

【請求項 30】

最も優先順位が高いコマンドは、APPCOMMAND_SWITCHであり、それよりも優先順位が低いコマンドは、Windows Keyであることを特徴とする請求項1記載の方法。

【請求項 31】

50

最も優先順位が高いコマンドは、APPCOMMAND_SWITCHであり、それよりも優先順位が低いコマンドは、キーボードコマンドHomeであることを特徴とする請求項1記載の方法。

【請求項32】

最も優先順位が高いコマンドは、APPCOMMAND_MENUであることを特徴とする請求項1記載の方法。

【請求項33】

最も優先順位が高いコマンドは、APPCOMMAND_MENUであり、それよりも優先順位が低いコマンドは、キーボードコマンドShift-F10であることを特徴とする請求項1記載の方法。

【請求項34】

最も優先順位が高いコマンドは、APPCOMMAND_MENUであり、それよりも優先順位が低いコマンドは、Settingsのための特別コマンドであることを特徴とする請求項1記載の方法。

10

【請求項35】

コマンドをカスケードする方法において、オペレーションシステムシェルフックを使用して、アプリケーションコマンドとしてコマンドをアプリケーションに発行するステップと、アプリケーションコマンドが拒否された場合には、別のコマンドを直接オペレーティングシステムに発行するステップとを含むことを特徴とする方法。

【請求項36】

オブジェクトに適用されるコマンドグループの一つのコマンドに対する論理の入力を生成するインタフェースを備えるユーザーインタフェースシステムにおいて、ENTER、UP、DOWN及びOUTを備える前記コマンド群；
ENTERコマンドを処理するサブシステム；
UPコマンドを処理するサブシステム；
DOWNコマンドを処理するサブシステム；
OUTコマンドを処理するサブシステム；
及び、OUTコマンドについては、請求項1記載の方法を実行するシステム。

20

【請求項37】

少なくとも2つのコマンドコールのセットの機能を結合して単一の論理的ボタンにするコンピュータ可読命令を有するコンピュータ可読媒体において、前記方法は、コマンドコールのセットに対して最上位から最下位までの優先順位をつけること、最上位のキーがアプリケーションによって拒否されず、受諾されるまで、又は、最下位のキーボードキー以外の全てがあり続けるまで、優先順位にしたがって、最下位を除いて、オペレーティングシステムシェルフックを利用して、コマンドコールに対するアプリケーションコマンドをつくること、最下位のキーボードキー以外の全てが前の要素の中のアプリケーションによって拒否される場合は、オペレーティングシステムコマンドとして最下位のキーボードキーを発行することを含むことを特徴とするコンピュータ可読媒体。

30

【請求項38】

結合されるキーボードコマンドは、BackとEscapeであることを特徴とする請求項37記載のコンピュータ可読媒体。

40

【請求項39】

Backキーは、最上位に優先付けられ、Escapeキーは、最下位に優先付けられることを特徴とする請求項38記載のコンピュータ可読媒体。

【請求項40】

オブジェクトに適用されるコマンドグループの一つのコマンドに対する論理の入力を生成することによってオブジェクトをナビゲートするハードウェア制御装置において、前記コマンドグループは、ENTERコマンド、UPコマンド、DOWNコマンド、OUTコマンドをつくるENTER、UP、DOWN、OUTを含み、OUTコマンドに関しては、前記装置は、請求項1記載の方法

50

を実行することを特徴とするハードウェア制御装置。

【請求項 4 1】

オブジェクトに適用されるコマンドグループの一つのコマンドに対する論理的入力を生成することによってオブジェクトをナビゲートする手段を備えるハードウェア制御装置において、前記コマンド群は、ENTER、UP、DOWN及びOUTを含み、前記装置は、請求項 1 記載の方法を実行することを特徴とするハードウェア制御装置。

【発明の詳細な説明】

【技術分野】

【0001】

本発明は、一般的には、ユーザーインタフェース分野に関し、より詳細には、コンピュータシステム環境と連動して用いられるナビゲーション制御装置等のイベント処理に関する。しかし、本発明は、コンピュータにおいて使用されることに限定されない。逆に言うと、本明細書に開示された本発明の各種の実施形態を用いれば、日常使用する様々な装置やその他のシステムにおいて本発明を使用できる可能性がある。

10

【背景技術】

【0002】

コンピュータ産業は、キー、ホイール(wheel)及び画面上のボタンをナビゲーションのために使用することに長く重点を置いてきた。したがって、今日用いられている多種多様なナビゲーションモデルに対応するためには、普通サイズのキーボード、用途に特化したコマンドボタン、マウス、及び、様々なオンスクリーンインタフェースが共に必要となる。しかし、現在のナビゲーション装置は、新しく画期的なコンピュータ化された技術(ラップトップの進化型の後継機になることをねらったタブレットPC等)に適応しておらず、さらに、キーボード、マウス、その他の現行装置、又は、これら組み合わせは、これら新しく発展中の技術のナビゲートに関して十分又は的確に対応していない。簡単に言えば、コンピュータ産業は、その他の現行モデルを補完するか或いはそれらに取って代わるナビゲーションの単純モデルに向けられた技術上の明白なニーズに対して十分に取り組んでいない。

20

【発明の開示】

【発明が解決しようとする課題】

【0003】

本発明は、コンピュータ上での使用に限定されないが、コンピュータシステム環境での使用にとっても適した各種実施形態のユーザー・ナビゲーション・インタフェースに関する。これらの関連発明は、マウスよりも力強く、しかし、キーボードほど複雑でないシングルユーザナビゲーションを提供することによって、コンピュータキーボード及びマウスを補完(必ずしも取って代わらない)する機能強化されたユーザナビゲーションのシステム及び方法を提供する。多くの実施形態において、関連発明は、(マウスのように)利用のために片手だけを求め、コンピュータキーボードから直接コールされる今までの実質的機能を備える装置として使用されることが見込まれる。

30

【課題を解決するための手段】

【0004】

本発明の一実施形態は、オブジェクトに適用されるコマンドグループの中の1つのコマンドに対する論理的入力をユーザが生成できるようにするインタフェースを備えたユーザーインタフェースシステムに関し、最低限必要なコマンドグループを備えたコマンドグループを開示する。代替実施形態においては、最低限必要なコマンドグループは、ユーザーインタフェースシステムのための4つのコマンド、例えば、ENTER、UP、DOWN、OUTを備える。その他の実施形態においては、一部のコマンドは、(後述の)ホイール又はドッグボーン(dogbone)の装置の変形物を操作することによって実行される。

40

【0005】

本発明の一実施形態は、(キーボードキーを含むが、それに限定されない)少なくとも2つのコマンドコールからなる組の機能を一つの論理的ボタンに一体化して組み込む方法

50

に関する。一部の実施形態においては、その組み込みは、コマンドコールの組に最上位から最下位までの優先順位をつけ、次に、オペレーティングシステムのシェルフックを使って、優先順位が最下位のコマンド以外の1つが「受け入れられる」（承認され実行される）か、又は、優先順位が最下位のコマンド以外のすべてが「拒否される」（承認されない）まで、優先順位が最下位のコマンド以外のすべてのコマンドに対するアプリケーションコマンドコールを作り、次に、オペレーティングシステムコマンドとして最下位のコマンドを発行することによって行われる。例えば、一部の代替実施形態においては、OUTを、Backコマンドコール又はEscapeコマンドコールと等価とすることができるが、関連発明のその他の多くの実施形態で採用される重要な結合は、BackコマンドコールとEscapeコマンドコールを併合してOUTコマンドにすることである。オペレーティングシステムシェルフックを用いて、コマンドをアプリケーションコマンドとしてアプリケーションに向けて発行し、そのアプリケーションコマンドが拒否された場合には、別のコマンドを、直接、オペレーティングシステムに発行することによってコマンドを縦続(cascading)させる本方法は、多くの実施形態において、比較的簡単に片手で操作可能なナビゲーション装置の機能を上手に働かせるための要所である。その他の実施形態は、限られた数の論理的ボタンによって得られるコアコマンド機能を拡張するための別の方策を採用する。

10

【0006】

各種の縦続実施形態の中で、特定の縦続結合は、本発明の多数の実施形態にとって特に有益である。論理的ボタンの名前及びそれらに対応する縦続コマンド（高優先コマンドから低優先コマンドへ段々に）によって示される縦続イベントの一部を以下に示す。

20

【0007】

- ・UP: APPCOMMAND_UP → Up Arrow → Scroll Up → Page Up
- ・DOWN: APPCOMMAND_DOWN → Down Arrow → Scroll Down → Page Down
- ・NEXT: APPCOMMAND_NEXT → Tab → Right Arrow
- ・PREV: APPCOMMAND_PREV → Shift-Tab → Left Arrow
- ・ENTER: APPCOMMAND_ENTER → Return → Enter → “Play”
- ・OUT: APPCOMMAND_OUT → Browser Back → Escape → “Stop” → Alt-F4
- ・SWITCH: APPCOMMAND_SWITCH → Alt-Escape → Alt-Tab → Windows Key → Home
- ・MENU: APPCOMMAND_MENU → Shift-F10 → “Settings”

【0008】

本明細書では、“Play”と“Stop”は、メディアアプリケーション等の特殊コンテキストのための特殊コマンドであり、“Setting”は、その他の特殊コンテキストのメニュー設定等のための特殊コマンドである。

30

【0009】

その他の代替実施形態は、最初に表示装置の向きを判定し、表示装置の向きに基づいてコマンドを論理的ボタンに論理的に再マッピングすることによって、物理的に回転可能な表示装置に連結したナビゲーション装置のボタンに対してコマンドを論理的に再マッピングする方法及びシステムを開示する。一部の実施形態においては、表示装置の表示方向が別の方向に変わった場合には、おそらく表示装置の物理的な方向の変化に合わせるために、論理的ボタンに対するコマンドの論理的マッピングが自動的に起きる。その他の実施形態においては、表示方向は、表示装置自身の表示方向に基づいて判断される。一部の特殊実施形態においては、ナビゲーションインタフェースが水平線に対して非対称の垂直線であり、論理的再マッピングは、エンドユーザによる論理的使用に合致する所定の方法で、コマンドを論理的ボタンに再マッピングする。

40

【0010】

さらなる代替実施形態は、ボタンが、論理的ボタンが関与する主要な方法(ダブルクリック、フリッキング(flicking)、プレスアンドホールド(press-and-hold)等)以外の所定の方法に関与する場合に、代用コマンドを論理的ボタンにマッピングして代用コマンドを実際に発行することによってナビゲーション制御装置の機能を拡張するシステム及び製品を開示する。

50

【発明を実施するための最良の形態】

【0011】

(はじめに)

本主題は、法定要件を満たすために特別な形で説明される。しかし、この説明によって特許の範囲が限定されることを意図しない。むしろ、発明者は、この書類に記載されたものに類似する別の構成要素又は構成要素の組み合わせを含めるために、特許請求された主題が、その他の特許又は将来の技術と連携したその他の方法で具現化されてもよいと考える。

【0012】

(コンピュータ環境)

本発明の多数の実施形態はコンピュータで実行することができる。図1及び以下の説明は、本発明を実行するのに適したコンピュータ環境を簡単かつ一般的に説明するためのものである。必須ではないが、本発明を、クライアント・ワークステーションやサーバ等のコンピュータによって実行されるプログラムモジュール等のコンピュータ実行可能命令の一般的な文脈を使って説明する。通常、プログラムモジュールには、ルーティン、プログラム、オブジェクト、コンポーネント、データ構造等が含まれ、これらは、特別なタスクを実行し、また、特別な抽象データ型を実装する。また、当業者であれば、本発明をハンドヘルドコンピュータ、マルチプロセッサシステム、プログラム可能な家庭用電子機器ベースのマイクロプロセッサ、ネットワークPC、ミニコンピュータ、メインフレームコンピュータ等のコンピュータシステム構成を用いて実施できることを理解するであろう。本発明は、通信ネットワークを介してリンクされた遠隔処理装置によってタスクが処理される分散コンピューティング環境においても実施できる。分散コンピューティング環境においては、プログラムモジュールをローカルメモリ記憶装置及びリモートメモリ記憶装置の両方に置くことができる。

【0013】

図1に示すように、汎用コンピューティングシステムは、処理ユニット21と、システムメモリ22と、システムメモリを含むシステムコンポーネントを処理ユニット21に連結するシステムバス23とを有した従来型のパーソナルコンピュータ20等を備える。システムバス23は、メモリバス又はメモリコントローラ、周辺バス、多様なバス構造のいずれかを使用するローカルバス等の幾つかある種類のバス構造のいずれかでよい。システムメモリは、リードオンリーメモリ(ROM)24とランダムアクセスメモリ(RAM)25を備える。基本入出力システム26(BIOS)は、パーソナルコンピュータ20の構成要素間で起動時に情報を転送するのに役立つ基本ルーティンを含み、ROM24に格納される。パーソナルコンピュータ20は、ハードディスク(図示なし)との間で読み書きを行うハードディスクドライブ27と、可動式磁気ディスク29との間で読み書きを行う磁気ディスクドライブと、CD-ROM又は他の光メディア等の取り外し可能な光ディスク31との間で読み書きを行う光ディスクドライブ30とをさらに備える。ハードディスクドライブ27、磁気ディスクドライブ28および光ディスクドライブ30は、各々、ハードディスクドライブインタフェース32、磁気ディスクドライブインタフェース33、光ドライブインタフェース34に接続される。これらのドライブ及びこれらと関連するコンピュータ読み取り可能媒体は、パーソナルコンピュータ20のために、コンピュータ可読命令、データ構造、プログラムモジュール及びその他のデータの揮発性記憶を提供する。本明細書に記載の環境例では、ハードディスク、可動式磁気ディスク29及び可動式光ディスク31が用いられているが、コンピュータからアクセス可能なデータを記憶できる他の種類のコンピュータ読み取り可能媒体、例えば、磁気カセット、フラッシュメモリカード、デジタルビデオディスク、ベルヌーイカートリッジ(Bernoulli cartridges)、ランダムアクセスメモリ(RAM)、リードオンリーメモリ(ROM)等をこのオペレーティング環境例で使用してもよいことを当業者は理解するはずである。

【0014】

オペレーティングシステム35、1又は複数のアプリケーションプログラム36、その

10

20

30

40

50

他のプログラムモジュール 37 及びプログラムデータ 38 を含む多数のプログラムモジュールをハードディスク、磁気ディスク 29、光ディスク 31、ROM 24、又は、RAM 25 に記憶させることができる。ユーザは、キーボード 40、ポインティングデバイス 42 等の入力装置を介してパーソナルコンピュータ 20 にコマンド及び情報を入力できる。その他の入力装置（図示なし）は、マイクロホン、ジョイスティック、ゲームパッド、サテライトディスク、スキャナー等を備えることができる。これらの入力装置及びその他の入力装置は、システムバスに連結したシリアルポートインタフェース 46 を介して処理ユニット 21 に接続されることが多いが、パラレルポート、ゲームポート又はユニバーサルシリアルバス(USB)等の他のインタフェースを介して接続されてもよい。モニター 47 又は他の種類の表示装置は、ビデオアダプター 48 等のインタフェースを介してシステムバス 23 に接続される。モニター 47 やパーソナルコンピュータは、通常、スピーカーやプリンター等の他の周辺出力装置（図示なし）を備える。図 1 のシステム例は、ホストアダプター 55、スモール・コンピュータ・システム・インタフェース(SCSI)バス 56 及び SCSI バス 56 に接続された外部記憶装置 62 を備える。

10

【0015】

パーソナルコンピュータ 20 は、リモートコンピュータ 49 等の 1 又は複数のリモートコンピュータとの論理的な接続を用いて、ネットワーク環境において動作することができる。リモートコンピュータ 49 は、別のパーソナルコンピュータ、サーバ、ルーター、ネットワーク PC、ピアデバイス(peer device)、又は、他の共通のネットワークノードであってもよく、図 1 では 1 つの記憶装置 50 だけが示されているが、通常は、パーソナルコンピュータ 20 に関連する上述の構成要素の多くを又は全てを備える。図 1 に示した論理的な接続には、ローカルエリアネットワーク(LAN) 51、広域ネットワーク(WAN) 52 が含まれる。このネットワーキング環境は、オフィス、企業規模のコンピュータネットワーク、イントラネット及びインターネットにおいては、一般的である。

20

【0016】

パーソナルコンピュータ 20 は、LAN ネットワーキング環境で使用される場合、ネットワークインタフェース又はアダプター 53 を介して LAN 51 に接続される。パーソナルコンピュータ 20 は、WAN ネットワーキング環境で使用される場合、通常、インターネット等の広域ネットワーク 52 上で通信を確立するためのモデム 54 又は他の手段を備える。モデム 54 は、内部にあっても外部にあってもよく、シリアルポートインタフェース 46 を介してシステムバス 23 に接続される。ネットワーク環境においては、パーソナルコンピュータ 20 と関連するプログラムモジュール又はそれらの一部をリモートメモリ記憶装置に記憶させることができる。図示されたネットワーク接続は例であり、コンピュータ間で通信リンクを確立する他の手段を用いてもよいことが理解されるであろう。本発明の多数の実施形態は、コンピュータ化されたシステムにとって特に適切であると想像されるが、本発明をその実施形態に限定させることを意図するものは本書類にはない。これに対して、コンピュータシステムという用語は、押しボタンを含む装置、又は、ボタン又はボタンの等価物が押されたことを判断できる装置のいずれか又はすべてを包含することを意図し、それらの装置が電氣的、機械的、論理的、又は、仮想であるかどうかとは無関係である。

30

40

【0017】

(ネットワーク環境)

図 2 は、本発明の態様を実施できるネットワーク環境の例を示す。実際のネットワークおよびデータベースの環境はいろいろな構成で配置され得る。しかしながら、ここで示す環境例は、本発明が動作する環境の種類を理解するためのフレームワークを示す。

本ネットワークは、クライアントコンピュータ 20 a、サーバコンピュータ 20 b、データソースコンピュータ 20 c、データベース 70、72 a、72 b を備える。クライアントコンピュータ 20 a とデータソースコンピュータ 20 c は、イントラネット等の通信ネットワーク 80 を介してサーバコンピュータ 20 b と電氣的通信を行う。クライアントコンピュータ 20 a とデータソースコンピュータ 20 c は、通信インタフェース 82 を經由

50

し通信ネットワークに接続される。通信インタフェース82は、イーサネット（登録商標）結合、モデム結合等の良く知られた通信インタフェースのどれかである。

【0018】

サーバコンピュータ20bは、データベースサーバシステムソフトウェアを使ってデータベース70を管理するが、これについては詳しく後述する。したがって、サーバ20bは、多種類のデータソースから送られるデータの貯蔵庫としての役割を果たし、そのデータを多様なデータコンシューマに提供する。

【0019】

図2の例では、データソースは、データソースコンピュータ20cによって提供される。データソースコンピュータ20cは、LAN、WAN、イントラネット、インターネット等の通信ネットワーク80を介してデータをサーバコンピュータ20bに通信する。データソースコンピュータ20cは、データベース72a、72bに局所的にデータを格納するが、これらのデータは、リレーショナルデータベースサーバ、エクセルスプレッドシート、ファイル等でよい。例えば、データベース72aは、テーブル150、152、154に保存されたデータを示す。データソース20cによって提供されるデータは、組み合わせられて、サーバ20bによって整備されるデータ貯蔵庫等の大規模データベース内に保存される。サーバコンピュータ20bによって保存されるデータの使用を望むクライアントコンピュータ20aは、通信ネットワーク80を介してデータベース70にアクセスできる。クライアントコンピュータ20aは、SQLクエリー（例：更新、挿入、削除）を使って、データベース70に保存されているそのデータを要求する。

【0020】

（概要）

本発明の一部の実施形態にとって“オブジェクト”は、限定せずに、ダイアログボックス、メニュー、ウェブページ、テキストページ、可動の図面オブジェクト、又は、当業者により知られ理解される、コンピュータシステムの他のアイテムとから構成される。本発明を説明するために、全てのオブジェクトを便宜的に4つのカテゴリーに分類可能と仮定する。4つのカテゴリーとは、（1）ユーザが複数の要素の中から1の要素を選択するための、ダイアログボックス、メニュー等の選択ボックス、（2）編集可能なテキストオブジェクト等のコンテンツオブジェクト、（3）可動図面オブジェクト(MDOs)、および、（4）オーディオオブジェクトである。実際には、もっと多くのカテゴリーが考えられ、かつ望まれるが、それらのカテゴリーを含めた場合、追加のオブジェクトグループの独自の特性に対応するために当業者に対して本明細書記載のロジックの拡張を単に要求するだけであるため、そのような拡張は本発明によって予期され開示されているとみなすべきである。

【0021】

入力デバイス上で、ボタンが押され、又は、（後述する）ホイール又はドッグボーン(dogbone)が転がされ又は回転し又はロックされたときはすぐに、基本的な物理的相互作用によって、本発明をともなう使用のための論理的入力を構成する適切な電気信号が生成される（そのよう論理的入力は、当業者によって広く知られ、理解されている。）。ボタン、ホイール、ドッグボーン以外の入力装置（例えば、音声認識入力、赤外線信号入力、パテント認識入力(patent recognition input)等があるが、これらに限定されない。）を用いた物理的相互作用によって生成される論理的入力は、本発明の各種実施形態をともなう使用に適するであろう。したがって、本明細書のいかなる事項も、論理的入力を本明細書に明示的に開示された装置グループに単に制限するために解釈すべきではない。しかし、便宜上、物理的相互作用のために役に立つ構成要素（例えば、ボタン）への言及は、各物理的相互作用によって生じる論理的入力への直接的な言及になるものとする。換言すると、ボタン、ホイール、ドッグボーン、または、他のそのような装置を含んだ入力装置の構成要素は、物理的に作用を受けた場合に、本明細書に記載された実施形態の論理的入力を構成するものとする。したがって、限定のない例として、「ENTER ボタン」は、「ENTERのための論理的入力」の1形態である。

10

20

30

40

50

【0022】

ユーザが直ちに識別でき、簡単かつ一貫性のある方法で情報をナビゲートするために使用するインタフェース装置の基礎を提供する主なボタン/ホイール/ドッグボーングループは、本発明の各種実施形態の中心に位置する。本実施形態は、一般的に最低限必要なコマンド(コアコマンド)のグループのための論理的ボタンのコアグループを備え、一部の実施形態は、ナビゲーションコマンド(補助的コマンド)の補助的セットに対する付加的な論理的ボタンを備える。論理的ボタンは、(後に詳細に定義され説明される)ホイール又はドッグボーンからの明白な入力イベントの個別ボタン又は論理的な等価物、又は、論理的ボタンの組み合わせを備え、各種実施形態によって利用されてコアコマンド及び補助的コマンドを作り出す。その他の実施形態においては、比較的少ない物理的構成要素を備え、かなりの数の論理的ボタンを処理して、コアコマンドや補助的コマンドをはるかに超える驚異的なナビゲーション機能を実行できるが、当該機能は、場合によっては、オブジェクト、アプリケーション、又は、特定及び/又は変更可能な装置であり得る一般的コマンドを含んでもよい。

10

【0023】

本発明の多くの実施の形態におけるコアコマンドは、おおよそ、Up、Down、Enter、Escapeのキーボードキーイベントと同等である。なぜなら、これらのコアコマンドは、スキヤニングや切り替えという2つの最も基本的なナビゲーションの機能—スキヤニングビューと選択、ビューの中で受諾すること又は拒否すること及び選択—と通常最も関連するコマンドコールであるからである。UpとDownの十字キーはスキヤンのための唯一の方法ではない。しかし、メニュー、一覧表、スクローリングビューは、全て、垂直軸に沿って配列され、これらの2つのキー操作に常に反応するため、これらのキーは、この基本的なユーザ作業にとって最も十分に確立したものである。この関連性は、本発明におけるスキヤニング軸に関するユーザの概念モデルの基礎を形成する。同様に、Enterキーは、スクリーン(グラフィカルユーザインタフェース又はGUI)上で目下選択されている機能をすべてアクティブにし又は実行する大変頼もしい手段として、ほとんど例外なく、コンピュータユーザに知られている。また、一般的に、Escapeは、意味的にはEnterと反対のものともみなされており、メールメッセージを閉じることやダイアログボックスを閉じること等の多くの共通的なバックアウトシナリオを取り扱う。しかし、本発明の多くの実施の形態の重要な態様は、ナビゲーションの機能が、ナビゲートされるコンテキストやアプリケーションオブジェクトに基づいて変わり得るということである。また、ナビゲーションの追加機能は、補助的コマンドによって実行される。

20

30

【0024】

Escape機能について言うと、本明細書に記載された発明の各種実施形態の別の重要な態様は、従来のEscape機能がデート(date)に適しているという事実があるにもかかわらず、長年にわたりEscape機能の実行は、本明細書に記載された発明の多くの実施形態のコアコマンドとしての役目を果たすことに実際には完全に制限される。例えば、アプリケーション内のウィンドウオブジェクトを閉じるさいに、大抵のウィンドウはEscapeキーには実際には反応せずに「Alt-F4」キーボードの打鍵に反応するだけであるということが広く理解されている。ナビゲーションの「履歴」—すなわち、ナビゲーションは、ナビゲーションの結果である何らかの論理的なパスに沿っており、ツリー構造データ又はその他のツリー構造オブジェクトである。—をそなえたアプリケーションについて言うと、ウィンドウを閉じる行為は、戻る(go Back)(すなわち、ビューイング履歴に基づいて、ウィンドウを開いたまま現在のコンテキスト内の前のコンテンツ又は異なるコンテンツに戻ることに)ことの必要性及び欲求ほど重要でもなく、広く使用されてもいない。したがって、本発明の多数の実施形態においては、Escapeの概念を、OUTボタン用の一層パワフルな(後述の)「Out」に置き換える。とはいえ、その他の実施形態では、適宜、Escape又はBackをOUTにマッピングする。

40

【0025】

この原理に基づく、本発明の各種実施形態は、コアナビゲーションコマンドを集合的

50

に表すOUT、UP、DOWN、ENTERの4つの論理的ボタンを備えた装置向きである。主要な機能性グループは、補助的コマンドを利用する機能強化された多くの発明の実施形態の基礎をなす。基礎的なボタングループと、コアコマンドに対する対応の機能性とをユーザアプリケーションの絶え間のない変化に合わせることができる。例えば、4つの基礎的なナビゲーションボタンの機能又は「ナビボタン(navbuttons)」を、ワイヤレスディスプレイ、リモートコントロール、キーフォブ(key fobs)、腕時計、高度自動機能電話(smart phone)、音楽装置、その他のユーザアプリケーション等の多種多様な操作面に制限なく適用することができ、それらの装置が伝統的なコンピューティング装置と認められるかどうかを問わない。

【0026】

ディスプレイモニター上で目に見える効果等の現実に目に見える結果を開示する実施形態にとっては、目に見えない効果もまた予測され、含まれる。例えば、1組のボタンが、ディスプレイ装置上でカーソルを上下に動かすものとして記載されている場合には、聞こえる効果(例えば、音量の上げ下げ)、触知性の効果(例えば、表面温度の上昇又は下降)等の、効果が目に見えない代替の実施形態が予測される。したがって、本明細書から目に見えない結果を十分に予測できるので、本明細書のいかなる事項についても、本発明の各種実施形態が視覚型の結果に限定されるように解釈すべきではない。

【0027】

最後に、本明細書に開示された実施形態の多くは、スタンドアロン装置内にあるのが理想ではあるが、大型装置の一部として組み込まれても構わない。例えば、多くの実施形態は、限定なく、キーボード上の(おそらく、十字キーの集団とページングキーの集団の間の)ボタンの集団として、又は、(その他のボタンとインタフェースを加えた)ディスプレイと並んだボタンの集団として、又は、タッチスクリーン内の仮想のボタン(またはその他の仮想の実施形態)等として現れて構わない。いずれにせよ、本明細書のいかなる事項についても、本発明の態様がスタンドアロンの実施形態に限定されるように解釈すべきでない。

【0028】

(コアコマンド及び関連する実施形態)

以下のコマンドは、本明細書で用いられるキーコアコマンドの一部と、特定のコンテキスト内でのシステムによる解釈方法とからなる。

【0029】

- ・ UP: 1のユニット、ライン、セル、スクロールインクリメント、ページ、又は、スクリーンを上を移動する(進める)こと; MS Windows APPCOMMAND_NAVPAD_UP イベント又は、USB HID NAVPAD_UP イベント
- ・ DOWN: 1のユニット、ライン、セル、スクロールインクリメント、ページ、又は、スクリーンを下を移動する(進める)こと; MS Windows APPCOMMAND_NAVPAD_DOWN イベント、又は、USB HID イベント
- ・ NEXT: 次のオブジェクト、フィールド、リンク、又は、ウィンドウ枠に移動する(スキップする)こと; MS Windows APPCOMMAND_NAVPAD_NEXT イベント、又は、USB HID NAVPAD_DOWN イベント
- ・ PREV: 前のオブジェクト、フィールド、リンク、又は、ウィンドウ枠に移動する(スキップする)こと; MS Windows APPCOMMAND_NAVPAD_PREV イベント、又は、USB HID NAVPAD_PREV イベント
- ・ ENTER: (キーボードのEnterキー又はその他のコンテキストのOKボタンに類似する)現在のオブジェクト上で操作する(実行する)こと; MS Windows APPCOMMAND_NAVPAD_ENTER イベント、又は、USB HID NAVPAD_ENTER イベント
- ・ CENTER: (キーボードのEnterキーに類似するが異なる)現在のオブジェクト上で操作する(実行する)こと; MS Windows APPCOMMAND_NAVPAD_CENTER イベント、又は、USB HID NAVPAD_CENTER イベント
- ・ OUT: 前のオープンオブジェクト、ページ、又は、ビューに戻ることに; (コンテキ

10

20

30

40

50

ストに適切なものとして、Esc、Back、又は、本明細書の他のところに記載されている縦続Esc/Backの結合に類似する）起動中のオブジェクトを閉じること；MS Windows APPCOMM AND_NAVPAD_OUT イベント、又は、USB HID NAVPAD_OUT イベント

- ・ MORE：現在のオブジェクトに利用可能なオプションに関する詳細を表示すること、又は、そのオプションを実行すること；MS Windows APPCOMMAND_NAVPAD_MORE イベント、又は、USB HID NAVPAD_MORE イベント

- ・ SWITCH：次のウィンドウ、スクリーン、ページ、アプリケーション、又は、機能上の提供品に切り替えること；MS Windows APPCOMMAND_NAVPAD_SWITCH イベント、又は、USB HID NAVPAD_SWITCH イベント。

【0030】

図3Aは、本発明の一実施形態におけるENTERボタンのロジックを示すフローチャートである。ブロック302において、ENTERボタンが押されると、ブロック304において、ENTERボタンシステムは、オブジェクトが選択オブジェクト（そして、コンテンツオブジェクト又は可動図面オブジェクトでないこと）であるか否かを判定し、否の場合、本実施形態ではその他のイベントは発生せず、ブロック350でシステムはリターンする（本発明のヌルイベント(null event)以外のイベントは、コンテンツオブジェクト及び可動図面オブジェクトに対して必ず発生し、このことは当業者によって理解されるであろう。）。これに対して、オブジェクトが、実際に選択オブジェクトである場合には、ブロック306において、システムは、オブジェクト内の起動中の要素が既に選択されているか否かを判定する。起動中の要素が既に選択されている場合、ブロック312において、キーボードのEnterキーを押したのと同様な“execute”イベントが発生する（その結果は、必要に応じて、選択された要素のOpen、Accept、又は、OKとなり、これらのイベントは、当業者によって知られ理解される。）。ブロック350において、システムはリターンする。これに対して、起動中の要素が選択されていない場合、ブロック308において、システムは、オブジェクトの要素がインシャルフォーカス(Initial Focus)（デフォルト選択要素）としてマークされているか否かに関して判定し、マークされている場合、ブロック314において、インシャルフォーカスとしてマークされている要素が選択され、その後、ブロック350でシステムはリターンする。最後に、インシャルフォーカスが無い場合、ブロック316において、システムは、最初に載ったオブジェクトの要素を選択し、ブロック350でリターンする。

【0031】

当然ながら、図3Bのフローチャートへの変形が、ある状況のもとでは望まれるであろう。例えば、図3AのENTERボタンのロジックにおける変形を示すフローチャートである図3Bを検討する。この実施形態においては、(a)ブロック304において、オブジェクトが選択オブジェクトであるか否か、(b)ブロック306において、起動中の要素が選択されていないかどうか、(c)ブロック308において、オブジェクトがインシャルフォーカスをもつか否かを（図3Aの方法と同一の方法で）判断した後に、ブロック310において、図3Bのシステムは、起動中の要素が目に見えるか否かを更に判断し、目に見える場合、ブロック318において、最初に目に見える要素を選択し、目に見えない場合、ブロック316において、最初に載った要素を選択する。本発明は、ロジック内のこの変形及びその他の微妙な変形を本明細書に開示する。

【0032】

尚、これらの特有の実施形態の方法及び本明細書に書かれた他のものを用いることによって、（まだ一つも選択されていないとき）ユーザは、一回、ENTERボタンを押すことによって要素を選択することができ、ENTERボタンを再度押すことによって（キーボードのEnterキーを押すことと等価な）要素を実行することができる。

【0033】

図4Aは、本発明の一実施形態におけるUPボタンのロジックを示すフローチャートである。ブロック402において、UPボタンが押されると、ブロック404において、UPボタンシステムは、オブジェクトが選択オブジェクトであるか否かを判定する。選択オブジェ

クトでない場合、ブロック422において、システムは、オブジェクトがコンテンツオブジェクトか可動図面オブジェクトであるか否かを判断する。オブジェクトが可動図面オブジェクトである場合、ブロック432において、システムは、オブジェクトを所定の距離（例えば、1ピクセル）だけ押し上げ（上に動かし）、ここ（および図の他の個所）から推測できるように、その方向にさらに動かすことが不可能であるか又は許可されない場合には何もしない。所望の方向への動きが不可能であるか又は許可されていない場合のヌルイベントの処理するロジックが現段階では明らかにされていないが、そのロジックの例は、ハッシュラインブロック(hash-line blocks)によって図示され、コンテンツオブジェクトのために後半に説明される。そのロジックは、必要に応じて残りの図面に対して推定され暗示され得る。

10

【0034】

再び図面に戻ると、オブジェクトが実際にコンテンツオブジェクトである場合には、ブロック424において、システムは、オブジェクト内のテキストが1ライン又は複数ラインからなるか否かを判定する。テキストオブジェクトが複数ラインからなる場合、（所望の方向への移動が不可能であるか又は許可されていない場合にヌルイベントを処理するロジックを表すために）ブロック426において、システムは、挿入ポイントが、現在、最初のライン上にあるかどうかを判定し、もしある場合には、システムは何もせずに、ブロック450でリターンする。そうでなければ、ブロック434において、システムは、挿入ポイントを1ライン上に動かし、ブロック450でリターンする。逆に言えば、テキストオブジェクトが1ラインのみからなっている場合には、ブロック428において、システムは、現在、挿入ポイントがラインの最初の文字の前にあるかどうかを判定し、ある場合には、システムは、何もせずにブロック450でリターンする。そうでなければ、ブロック436において、システムは、挿入ポイントを1文字分左に動かし、ブロック450でリターンする。

20

【0035】

ブロック404において、システムが、オブジェクトが選択オブジェクトと判断した場合、ブロック406において、システムは、オブジェクト内の要素が既に選択されているか否かを判定する。アクティブ要素が既に選択されている場合、ブロック412において、システムは、リスト内の前の要素を選択し（暗に、当該選択された前の要素は、選択されていない。）、システムはブロック450でリターンする。これに対して、アクティブ要素が選択されていない場合、ブロック408において、システムは、オブジェクトの要素が（デフォルト選択要素として）イニシャルフォーカスとしてマークされているか否かに関して判定し、そうである場合には、ブロック414において、イニシャルフォーカスとしてマークされている要素を選択し、その後、システムはブロック450でリターンする。最後に、イニシャルフォーカスがない場合には、ブロック416において、システムは、オブジェクトの最初に載った要素を選択し、ブロック450でリターンする。

30

【0036】

図4Bは、図3Bと図3Aを区別するために明細書の中で先立って紹介したものと類似する変形に基づいた、図4AのUPボタンのロジックの変形を示すフローチャートである。図4Bの実施形態において、---再度、(a)ブロック404において、オブジェクトが選択オブジェクトであるか否か、(b)ブロック406において、アクティブ要素が選択されていないかどうか、(c)ブロック408において、オブジェクトがイニシャルフォーカス（図4Aの方法と同一）でないかどうか、を（図4Aの方法と同一な方法で）判定した後に、---ブロック410において、図4Bのシステムは、アクティブ要素が目に見えるか否かをさらに判定し、見える場合には、ブロック418において、最初に目に見える要素を選択し、見えない場合には、ブロック416において、システムは最初に載った要素を選択する。

40

【0037】

図5Aは、本発明の一実施形態におけるDOWNボタンのロジックを示すフローチャートである。ブロック502において、DOWNボタンが押されると、ブロック504において、D0

50

WNボタンシステムは、オブジェクトが選択オブジェクトであるか否かを判断する。選択オブジェクトでない場合、ブロック522において、システムは、オブジェクトがコンテンツオブジェクト又は可動図面オブジェクトであるか否かを判定する。オブジェクトが可動図面オブジェクトである場合、ブロック532において、システムは、オブジェクトを、所定の距離（例えば、1ピクセル）、単に、少しずつ押す（動かす）か、又は、ここ（又は、図面のその他の箇所）から推測できるように、その方向にさらに動かすことができな
いか、許可されていない場合、なにも行わない。これに対して、オブジェクトがコンテンツ
オブジェクトである場合には、ブロック524において、システムは、オブジェクト内の
テキストが1行又は複数行から成るか否かを判断する。テキストオブジェクトが複数行
から成る場合には、ブロック526において、システムは、挿入ポイントが現在、最終行
にあるか否かをさらに判定し、そうである場合には、システムは何もせずにブロック55
0でリターンする。そうでない場合には、ブロック534において、システムは、挿入ポ
イントを1行下に移動し、ブロック550でリターンする。反対に、テキストオブジェク
トがちょうど一行から成る場合には、ブロック528において、システムは、挿入ポ
イントが、現在、行の最終文字の後ろにあるか否かを判断し、そうである場合には、システム
は何もせずにブロック550でリターンする。そうでない場合には、ブロック536にお
いて、システムは、挿入ポイントを1文字右に移動し、ブロック550でリターンする。

【0038】

ブロック504において、システムが、オブジェクトが選択オブジェクトであると判定
した場合、ブロック506において、システムは、オブジェクト内のアクティブ要素が既
に選択されているか否かを判定する。アクティブ要素が既に選択されている場合には、ブ
ロック512において、システムは、リスト内の次の要素を選択し（暗に、当該前に選択
された要素は、選択されていない。）、システムはブロック550でリターンする。これ
に対して、アクティブ要素が選択されていない場合、ブロック508において、システム
は、オブジェクトの要素がインシャルフォーカスとして（デフォルト選択要素として）マ
ークされているか否かに関して判定し、そうである場合には、ブロック514において、
インシャルフォーカスとしてマークされている要素を選択し、その後、システムは550
でリターンする。最後に、インシャルフォーカスがない場合には、ブロック516におい
て、システムは、オブジェクトの最後に載った要素を選択して、ブロック550でリター
ンする。

【0039】

図5Bは、図3Bと図3A、図4Bと図4Aを区別するために明細書の中で先立って紹
介したものと類似する変形に基づいた、図5AのDOWNボタンのロジックの変形を示すフロ
ーチャートである。図5Bの実施形態において、---再度、(a)ブロック504において、
オブジェクトが選択オブジェクトであるか否か、(b)ブロック506において、アクティ
ブ要素が選択されていないかどうか、(c)ブロック508において、オブジェクトがイニ
シャルフォーカスでないこと、を（図5Aの方法と同一な方法で）判断した後に、---ブ
ロック510において、図5Bのシステムは、アクティブ要素が目に見えるかどうかをさ
らに判断し、見える場合には、ブロック518において、最後に目に見える要素を選択し
、見えない場合には、ブロック516において、システムは最後に載った要素を選択する
。

【0040】

従来のEscape機能は、長い間使用されているという事実があるにもかかわらず、それは
、やはり、かなり制限され非常に特殊化されている。例えば、ウィンドウを閉じるために
、大抵のウィンドウは、実際には、Escapeキーには全く反応せずに、代わりに“Alt-F4”
キー入力に反応するだけである。ナビゲーション“履歴”を有するアプリケーションに関
して言うと、一すなわち、ナビゲーションがある種の論理的パスに沿っている場合一
ウィンドウを閉じる行為は、戻る(go Back)（すなわち、ウィンドウを開いたままにす
ること及びビューイング履歴に基づいて、現在のコンテンツ内の前のコンテンツ又は異な
るコンテンツに戻る）ことの必要性及び欲求ほど重要ではない（また、広く使用され

10

20

30

40

50

でもない。)。したがって、OUTボタンに関して言うと、本発明の一実施形態のために、Escape又はBackの概念を一層パワフルな“Out”の概念に置き換える。

【0041】

実施形態を重ね合わせると、OUTを、BackコマンドコールとEscapeコマンドコールとが提供する機能を論理的かつうまく対処された組み合わせにすることができる。すべてのウィンドウがEscapeに応答するオペレーティングシステムにおいては、これら2つのボタンを融合することは非常に有益である。なぜならば、これらのキーを様々なアプリケーションコンテキストの中で十分かつ一貫して使用することがめったにないからである。BackとEscapeのどちらも利用し、各々に区別できる機能をもたせた少数のアプリケーションにおいては、OUTボタンがどのキーボードキーに複製されるかをユーザに推測させるのは現実的
10
ではなく、非効率である。本発明の一実施形態によって提供される1つの解決策は、当のアプリケーションがBackキーコマンドを理解するとき、OUTボタンを使用してBackキーコマンドを生成すること、および、アプリケーションがBackキーコマンドを理解しないとき、かわりに、Escapeキーコマンドを生成すること、すなわち、Escapeコマンドを付随させたBackコマンドを縦続させることである。この方式では、履歴を有するアプリケーションは、---Backに移動できることがEscapeを介してウィンドウを閉じることよりも頻
15
繁にあり、また、より重要である場合等---- Backキー機能のより大きな利点を得、一方、Backキー機能を有さないアプリケーションは、Escapeキーによって得られる機能であれば何でも自動的に得る。Back/Escapeキー選択のこの方法論を、OUTボタンを介して実行するために、本発明の一実施形態は、最初にオペレーティングシステムのシェルフックを用
20
いて、「App コマンド」（アプリケーションプログラムへのアプリケーションコマンド）として、Backキーを生成し、次に、Backコマンドがアプリケーションによって拒否される場合には、キーボードのEscapeキーを押すのと等価なEscapeコマンドを生成する。その他の実施形態では、適宜、Escape又はBackを単純にOUTにマッピングできる。本明細書には、OUTの基本的な機能を制限することを意図することは何も含まれていない。それでもなお、本明細書においては、OUTはBack/Escapeの縦続機能を指すと仮定する。

【0042】

図6Aは、本発明の一実施形態におけるOUTボタンの方法のロジックを示すフローチャートである。ブロック602において、OUTボタンが押されると、ブロック604において、OUTボタンシステムは、オペレーティングシステムのシェルフックを用いて、（時々
30
、Browser Backキー又はその他の等価物としてラベルがつけられ、その操作は、時々、マウスの右クリックとして実行される）キーボードのBackキーをユーザが押すことによって生成されるコマンドと等価なアプリケーションコマンドをアプリケーションに発行する。次に、ブロック606において、システムは、Backアプリケーションコマンドが拒否されたか否かを判断し、拒否されない場合、システムはブロック650でリターンし、そうでなければ、ブロック608において、システムはEscapeコマンドを発行し、ブロック650でリターンする。

【0043】

図6Bは、図6Aに示された方法論に基づいたOUTボタンの方法のより複雑なロジックを示すフローチャートである。図6Bでは、ブロック602において、OUTボタンが押されると、ブロック610において、システムは最初に、ウィンドウが、その履歴の始めにあるかどうかを確かめる（したがって、どこにも戻らない。）。そのケースにおいては、方法は、次の2つのことの1つを行い得る。(a)それは、OUTボタン（ヌルイベント）を無視し、すぐに戻る。できたら、(b)それは、Escapeを介してウィンドウを閉じる。後者の
40
選択肢を実行するためには、次の2つの方法のうちの1つを用いる可能性がある。(i)システムは、Backコマンドを送る手続きをとり、（戻り先がないため）このアプリケーションコマンドがアプリケーションによって拒否されると推定される場合、システムは、（図6Aで示された方法論である）Escapeコマンドを送る手続きをとり、又は、(ii)システムは、すぐにEscapeコマンドを送る可能性がある。このことは、本図面に示されている。
50
したがって、ブロック610において、ウィンドウがその履歴の始めにあるとシステム

が判断した場合、システムはすぐにブロック608の手続きをとり、Escapeコマンドを発行し、ブロック650でリターンする。そうでない場合、ブロック604において、システムは、オペレーティングシステムのシェルフックを再び用いて、Backのためのアプリケーションコマンドをアプリケーションに発行し、次に、ブロック606において、Backアプリケーションコマンドが拒否されたか否かを判定し、拒否されない場合には、ブロック650でリターンし、そうでない場合には、ブロック608において、Escapeコマンドを発行し、ブロック650でリターンする。

【0044】

本発明の様々な物理的実施形態が考えられる。図7Aに示された1実施形態は、例えば、パッド又はデバイスの上にひし形で配置されたENTER702、OUT704、UP706、DOWN708のボタンを備える4つのボタンの配置である。図7Bは、本発明の代替実施形態であり、それは、例えばコンピューティング装置の右端に沿って垂直方向に配置された4つのボタンを備える点を除いて類似の幾何学的配置を有する。図7Cは、例えばコンピューティング装置の先端に沿って水平方向に配置されたボタンを示す本発明の別の代替実施形態である。これに対して、図7Dは、本発明のさらにもう一つの実施形態であり、それは、中心にENTER702を備え、ENTER702の上下に垂直に各々UP706とDOWN708を備え、3つの直線的に配置されたボタンの左上部にOUT704を備える改良垂直方式によって配置されたボタンを示す。当然ながら、色々なコマンドの組み合わせを4ボタン装置に割り当てることができるかもしれない。図7Eの装置は、4つのボタンがコマンドUP、DOWN、PREV、NEXTに対応する点を除いて、図7Aの装置と類似する装置を示す。

【0045】

しかしながら、本明細書に開示された4ボタンスキーマは、論理的なものであって、物理的なものではないため、本発明の一部の実施形態は異なる物理的構成要素を利用することもできる。例えば、図8Aに示された本発明の一実施形態は、1つの垂直ホイール802と2つのボタン804と806を備えたホイール／ボタンの組み合わせからなり、ここでは、ホイール802は、ホイールが（図示されたように、上又は下に）向けられた方向に基づいたUPとDOWNの両機能と論理的に同等とみなされ、一方、ボタン804とボタン806は、それらが押されたときに、各々、ENTERとOUTと相互に関連がある。この実施形態のホイール802は、本技術分野においてよく知られ理解されているように、マウス装置のホイールと類似の方式で動作し、上又は下へのわずかな転がりが入力をなす。図8Bは、ホイール／ボタンの組み合わせの一実施形態の別のレイアウトを示し、図8Cは、実施形態のさらに別のレイアウトを示す。

【0046】

図9は、本発明の別の代替実施形態を示し、ここでは、ホイール902は、UPとDOWNに対応する上下運動をサポートするばかりでなく、所定の最小スレシホールドの圧力が加えられると、ENTERのボタンとして動作する。この圧力入力の特長によって、本明細書ではクリックングホイールとして参照されるホイール902は、3つの異なる入力を受け付けることができ、一方、4番目の入力であるOUTは、クリックングホイール902に近接したボタン904に対応する。

【0047】

本発明の別の実施形態においては、図10に示すように、4ボタンスキーマは、単一の物理的要素であるロッキングホイールによって用いられる。ロッキングホイール1002は、垂直方向の回転動作と妥協することなしにサイドトースイド(side-to-side)のロッキング機構を更にサポートする。この機能により、右へのロッキングは、ENTERと関連があり、左へのロッキングは、OUTと関連があり、一方、UPとDOWNは、（図に示した通り）ホイール1002の上下の転がりによって得られ続ける。また、本実施形態のために示されたロッキングホイールに図9のクリックングホイールの圧力入力をさらに組み込んだ場合、その実施形態は、第5のボタン機能を得、その第5のボタン機能を、後で詳細に論じられる一部の興味深い実施形態を提供する5+ボタン構成の一部で使用できるかもしれない。

【0048】

図11Aは、図8Aに開示された発明と類似する本発明の別の実施形態を示し、従来のホイールの代わりに、ドックボーン(dogbone)1102を利用する。ドックボーン1102は、本来、人間工学的に改良されたホイールデバイスであり、従来のホイールが人差し指による使用に比較的適しているのに対して、ドックボーンは、親指による関与に特に適している。本実施形態においては、ドックボーン1102が垂直に上又は下に転がる動作は、(図に示された通り)論理的には、各々、UPとDOWNの両機能と同等とみなされ、一方、ボタン1104と1106が押されると、それらは、各々、ENTERとOUTと相互に関連がある。図11Bは、ドックボーン/ボタンを組み合わせた実施形態の別のレイアウトを示し、図11Cは、実施形態のさらにもう一つのレイアウトを示す。

10

【0049】

図12は、本発明の別の代替実施形態を示し、ここでは、ドックボーン1202は、UPとDOWNに対応する上下運動をサポートするばかりでなく、所定の最小スレシホールドの圧力が加えられると、ENTERのボタンとして動作する。この圧力入力の特長により、本明細書ではクリッキングドックボーンとして参照されているドックボーン1202は、3つの異なる入力を受け付けることができ、一方、4番目の入力であるOUTは、クリッキングドックボーン1202に近接したボタン1202に対応する。

【0050】

最後に、図13に示した本発明の別の実施形態において、4-ボタンのスキーマは、単一の物理的要素、すなわち、ロッキングドックボーン1302によって用いられる。ロッキングボーン1302は、垂直方向の回転動作と妥協することなしにサイドトサイドのロッキング機構を更にサポートすることによって、図10に示されたロッキングホイール1002と類似する。この機能を備えることによって、ドックボーン1302を左にロッキングすることは、ENTERと相互に関連があり、ドックボーン1302を右にロッキングすることは、OUTと相互に関連があり、一方、UPとDOWNは、(図に示した通り)ドックボーン1302の上下の転がりから得られ続ける。また、本実施形態のために示されたロッキングドックボーンに図12のクリッキングドックボーンの圧力入力をさらに組み込んだ場合には、その実施形態は、第5のボタン機能を得、その第5のボタン機能を、後で詳細に論じられる一部の興味深い実施形態を提供する5+ボタン構成の一部で使用できるかもしれない。

20

30

【0051】

(拡張コマンドと、関連実施形態)

本明細書でこれまで開示してきた本発明の実施形態は、4つの基本コマンドであるENTER、UP、DOWN、OUTに直接マッピングされる4つボタン(又は、ホイールやドックボーンの場合にはボタンと論理的に等価なもの)を備えるスキーマに焦点を合わせている。オブジェクトをナビゲーションするための最も有益なコマンドを備える単純なスキーマの能力を否定はしないが、物理的に、時間的に、論理的に、組み合わせ的といった4つの方法の内の1つの方法でボタンの機能を拡張することによって、より広い範囲の機能が有効となる。例えば、一部の実施形態が4つの基本コマンドであるENTER、UP、DOWN、OUTとは別にマッピングするかもしれない追加のコマンドは、6-論理的ボタンの実施形態のために、PREVとNEXTを備え、8-論理的ボタンの実施形態のために、PREV、NEXT、MORE、SWITCHを備える。

40

【0052】

論理的な4-コマンド配列を拡張する1つの方法は、単純に、より多くのボタン(又は、ボタンと論理的に等価なもの)を追加し、追加のコマンドをマッピングすることによって、物理的な4-ボタンの配置を拡張することである。例えば、図10に示されたロッキングホイールの4-ボタン機能が、図9のクリッキングフィールドの圧力入力機能を備える場合、この機能強化されたホイール(以下、スーパーホイールと称する。)は、論理的に第5のボタンを明らかにし、第5のコマンドを直接使用する(または、本明細書で後述するように、論理的に又は組み合わせのスキーマで利用される)。同様に、図12に示さ

50

れたロッキングドッグボーンの4ボタン機能が、図13のクリッキングホイールの圧力入力機能をさらに備える場合、この機能強化されたドッグボーン（以下、スーパードッグボーンと称する。）は、論理的に第5のボタンを明らかにし、第5のコマンドを直接使用することができる（または、再び、本明細書で後述するように、論理的に又は組み合わせのスキーマで利用される）。図14Aは、スーパーホイールを利用する本発明の一実施形態を示し、一方、図14Bは、スーパードッグボーンを利用する本発明の一実施形態を示す。

【0053】

スーパーホイールまたはスーパードッグボーンを追加のボタンと組み合わせた場合、片手で（又は、1本の指又は親指でも）操作可能なパワフルなナビゲーション装置が生じる。例えば、一部の実施形態においては、装置は、ロッキングボタンに2つのボタンを加えて使用し（全部で6つの論理的ボタン）、又は、ロッキングボタンに4つのボタンを加えて使用（全部で8つの論理的ボタン）する可能性があり、各々に対応するコマンドが論理的ボタンにマッピングされる。同様に、これらの実施形態の各々において、ロッキングドッグボーンの代わりにスーパードッグボーンを用いることによって、各々、7ボタン装置又は9ボタン装置が得られる。

【0054】

図15Aは、スーパードッグボーンと、配列の中心にあるスーパードッグボーンとともに垂直方向に配置される4つの追加の物理ボタンを利用するナビゲーション装置の一実施形態を示す。この9ボタン装置を、以後、ナイナー(niner)と称し、一方、図15Aに示される9ボタン装置は、垂直ナイナーと称するものとする。図15Aを参照すると、垂直ナイナー1502は、上側に2つのボタン1506とボタン1508を付け、下側に2つのボタン1510とボタン1512を付けたスーパードッグボーン1504を備える。各ボタンに対する直接コマンド（又は、論理入力）は、図15Cの表にリストアップされている。尚、この実施形態においては、ENTER、UP、DOWN、OUTの機能は、本明細書で既に開示している機能と同じであり、ENTERコマンドは（要求はされないが、許可されている）2つの論理的ボタンに対応する。同様に、別の実施形態は、図15Bに示された8ボタン装置を備え、ENTERが単一の論理的ボタンのみに対応する点を除いて、類似のコマンドマッピングを有する。尚、TabとAlt-Tabコマンドコールに対応するPREVとNEXTは、Left ArrowとRight Arrow機能の代わりに実行される。その理由は、ナビゲーションのコンテキストの中では、PREVとNEXTの機能は、比較的役に立つからである。とは言っても、ある状況においては、例えば、OUTコマンドにおけるEscapeとBackの組み合わせと類似する方法でPREVとLeft Arrowコマンドと一緒に結合することが望ましい。

【0055】

論理的ボタンの機能を拡張する別の方法は、ボタンが押されて、所定の時間、「押さえつけられる」（“held down”）ときに、特別な機能を提供することである。例えば、ユーザがUPボタンを押し、押さえつけた場合には、本発明のある実施形態にとって、それを異なるコマンド、例えば、キーボードのPage Upキーを複製するPAGEUPコマンドとして解釈することは論理的であろう。代わりに、システムは、自動的に、素早くUPコマンドを繰り返すこともあり得、このことは、キーボードのUp Arrowキーを押して、押さえつけることの効果と類似する。

【0056】

本明細書に記載されたボタンスキーマの機能を拡張する別の方法は、異なる種類の「動き」(motion)を見分けることであり、これは、マウスがシングルクリックとダブルクリックとを区別する方法と類似する。例えば、ホイール又はドッグボーンスキーマを利用するとき、ホイールの上又は下のフリック(flick)（短時間内の大きな動作であるフリック）を別個の論理的ボタンとみなすことは論理的拡張であろう。例えば、ドッグボーンを上又は下に正常回転させると、結果としてUP又はDOWNとなるのに対して、ホイールを上又は下にフリックは、PAGEUP又はPAGEDOWNコマンドを捕らえ得、それらはキーボードのPage Up、Page Downキーと各々一致する。

10

20

30

40

50

【0057】

ボタンの機能を拡張する別の強力な手段は、同時に押されたときに、個々のボタンと通常関連付けられたコマンドとは異なるコマンドを表すために使用されるボタンの様々な組み合わせを考慮することである。例えば、本発明の一実施形態は、主要なナビゲーション論理的ボタングループとして、4つの物理的ナビゲーションボタン、ロックングドッグボーン、又は、ロックングホイールとを備え、さらに、おそらく4つの論理的ボタンに2次のマッピングをもたせることを可能とする変更ボタンをおそらく備える。変更ボタンは、ラップトップ、タブレットPC等の多くのコンピュータ装置の'Fn'キーと多くの点で等価であろう。さらに、変更するもの(modifier)は、特別なコンピュータ装置にとって特に有用な特別メニューを呼び出す等の追加コマンドを実行する「ダブルタップ」(double-tapped)であり得る。特別メニューは、例えば、装置において縦方向と横方向の相互間で表示を回転させるメニューであり、その装置では、その機能が特に関連があり有用である。これについては、以下に詳細に説明する。

10

【0058】

これまで記述した実施形態は、所与のコンテキスト内の様々な物理的ユーザ対話に基づいて様々な論理的結果をマッピングすることに大きく基礎をおいている。しかしながら、別の実施形態によって、単一の特別な物理的対話が様々なコンテキスト内(テキストドキュメント、仮想ブック、又は、スライドショー等)の様々な論理的結果(ステップ、スクロール、又は、ページ等)を生じさせることを可能にするであろう。例えば、ロックングドッグボーンを用いてのローリングダウン(rolling down)は、コンテキスト内で、1行、ステップングダウンすること、別のコンテキスト内で、1ページ、スクローリングダウンすること、および、さらに別のコンテキスト内で、1ドキュメント、ページングダウンすることと同等とみなされ、各コンテキスト内で対応する反対の論理結果を有するローリングアップ(rolling up)を有する。同様に、再びロックングドッグボーンを用いてのロックングレフト(rocking left)は、1コンテキスト内でウィンドウ枠間を飛び越え、別のコンテキスト内でリンクの間をスキップし、又は、さらに別のコンテキスト内のツリー型の階層の低いブランチに入ることができ、各コンテキスト内で対応する反対の論理結果を有するローリングダウンを有する。その他の実施形態は、ロックングホイール、スーパードッグボーン、スーパーホイール、ひし形構成の4ボタン、32方位に似た円に沿って均等に構成された8ボタン、ジョイスティック、D-パッド、タッチパッド、タッチストリップ等を用いて同様に機能する方針に従っている。その他のコマンドは、ステップ、スクロール、ページとは別に、コマンドに対抗するその他の2アブストラクト(一般的に「アブストラクト」)のみならず、(「アクセス」(access)と共に)ENTERとOUTを含むことができる。

20

30

【0059】

(柔軟性に富んだ方向付け)

縦方向と横方向の間で表示を回転させるメニューが特に関連があり有用である装置において、様々な実施形態に組み込まれた本発明の別の重要な要素は、論理的ボタンコマンドを物理ボタンに再設定する能力である。例えば、その右側にロックングボーン1604を取り付けた「右手用の縦」方向("right-handed portrait" orientation)の状態のタブレットPC等の表示装置を示す図16Aの装置を考えてみる。便宜上、ロックングドッグボーン1604の各論理的ボタンの機能、すなわち、ローリングアップ、ローリングダウン、ロックングレフト、ロックングライトの各論理的ボタンの機能は、各々、A、B、C、Dと名付けられ、ロックングドッグボーン1604に対して一貫性を持ち続けている。これに対して、UP、DOWN、PREV、NEXTコマンドについてのU、D、P、Nとラベル付けされた、ロックングドッグボーン1604の各論理的ボタンに対するコマンドは、実際には、この特別な物理的方向(すなわち、右手用の縦方向)でのロックングドッグボーン1604と関連があり、また、論理的ボタンをコマンドに論理的マッピングすることは、以下の通りに表すことができる(左にラベル、右にコマンド)

40

A=U

50

B=D

C=P

D=N

【0060】

しかしながら、本発明の一部の実施形態に関しては、ディスプレイ装置1602が回転すると、論理的ボタンの割り当ては的確に再マッピングされる。例えば、90度(1/4)右に「下側横方向」(“bottom landscape” orientation)に回転した後の装置1602を示す図16Bを考える。このことは、ユーザが装置に対して表示の向きを変えるように指示した後に生じると考えられる。論理的ボタンへのコマンドの再マッピングが自動的に引き続いて生じる。この回転された方向においては、ロックングドッグボーン1604への論理的マッピングは以下の通りに表すことができる(左にラベル、右にコマンド)。

10

A=D

B=U

C=P

D=N

【0061】

尚、論理的ボタンAとBに対するコマンドが入れ替わっている(即ち、UPコマンドとDOWNコマンドが入れ替わっている)のに対して、論理的ボタンCとDに対するコマンドは同じままである。その理由としては、ドッグボーン1604は、実際は、当初は垂直方向に方向づけて示されている1つの軸に沿って転がるだけであるからである。その軸は、望ましくは表示の垂直方向にマッピングされるべきであり、その理由は、垂直方向の表示動作は、一般的には、水平方向の表示動作よりも重要であり、かつ、より頻繁に利用されるからである。したがって、ドッグボーン1604の転がりの能力は、常に、垂直方向の動作に論理的にマッピングされるべきであり、この場合において、右への転がり動作を表示の下方移動と一致させることは自然である(また、少なくとも、その他の方向付け及びテキスト文書の読み方と調和がとれている)。同様に、この場合において、ロックングアップを表示の左方向移動と一致させるロックングの再マッピングは、自然である(また、少なくとも、その他の方向付け及びテキスト文書の読み方と調和がとれている)。論理的ボタンと、論理的ボタンが呼び出すコマンドとの論理的関係を再マッピング(実際には、部分的な再マッピング)することによって、ユーザは、装置の方向を変えることができ、方向の変化と大いに両立する方法でユーザーインターフェースを利用することができる。

20

30

【0062】

図16Cは、右にさらに90度回転させた同じ装置(全部で180度又は右に1/2)及び、この装置の方向で見られるように自動又は手動で新しい方向による表示がなされたときに生じる再マッピングの説明図である。この方向においては、ロックングドッグボーン1604の論理的マッピングは以下のように表すことができる(左にラベル、右にコマンド)。

A=D

B=U

C=N

D=P

40

【0063】

この方向、すなわち、「左利き用の縦」方向(“left-handed portrait” orientation)は、特に、左利きのユーザにとって有用である。尚、前回の方向と比較すると、論理的ボタンCとDのコマンドは入れ替わっているのに対して、論理的ボタンAとBのコマンドは同じままである。この再マッピング(180度)は、実際には、前回の方向からの部分的な再マッピング(右に90度)にすぎないが、最初の方向からは完全に再マッピングされている。

【0064】

図16Dは、右にさらに90度回転(全部で270度又は右に3/4)させ、「上側横

50

」方向(“top landscape” orientation)を形成する同じ装置であり、この装置の方向で見られるように自動又は手動で新しい方向による表示がなされたときに再マッピングが結果として生じる。この方向においては、ロックングドッグボーン1604の論理的マッピングは以下のように表すことができる(左にラベル、右にコマンド)。

A=U

B=D

C=N

D=P

【0065】

尚、前回の方向と比較すると、論理的ボタンCとDは同じままであるのに対して、論理的ボタンAとBは入れ替わっている。装置がもう一回回転し最初の位置に戻ったと仮定すると、論理的ボタンAとBのコマンドは同じままであるのに対して、論理的ボタンCとDは入れ替わっている。要するに、本発明の一部の実施形態は、固定のナビゲーション装置の論理回転スキームを使用することにより、論理的ボタンが、それらの方向に依存した特別のコマンドに対応する。その正確なマッピングを図17の表に示す。このマッピングは、ホイールやドッグボーンを備えた場合等の、1つの物理軸に沿って左右対称な装置に最も適している。

10

【0066】

図18Aは、別の表示装置1802、すなわち、限定しない例として、装置の底部にロックングドッグボーン1804を組み込んだ「フロントエンド長手」方向のポケット型表示装置を示し、この装置は、1/4ずつ右に3回連続回転し、図16A-Dに示された装置と類似の方式で論理コマンドを再マッピングする。

20

【0067】

回転表示装置のジレンマの別の解決策は、物理的ユーザーインタフェース自体を回転させることである。図19Aは、回転可能なナビゲーション装置1904を備えた表示装置1902を示し、この表示装置は、右手用縦方向を有する。図19Bは、回転可能なナビゲーション装置1904が表示装置1902の視野から90度右に回転し同じ絶対的な方向を保ちながら、右に90度回転した表示装置1902を示す。図19Cと図19Dは、さらに90度ずつ回転した同じ装置を示す。各々の場合において、ナビゲーション装置1904は、同じ絶対的な方向を保つ。

30

【0068】

類似する方法においては、回転したときに物理的に区別がつかないナビゲーション装置にとってローテーションは仮想的であり、論理的な回転だけを起こす必要がある。この方法論は、主要な回転軸を備えるホイール又はドッグボーンを利用するナビゲーション装置には適していないが、ボタンがひし形に配置されている図7Aの4ボタンナビゲーション装置等のその他の実施形態は、図19A-Dに開示された装置等の回転可能なナビゲーション装置を備えた表示装置のために実現される機能に類似する、回転装置で実現された機能を、物理的ボタンの間の簡易な直接再マッピング(論理的回転)に与える。物理的ボタン間のコマンドの回転は、既に説明したひし形の配置を備えたケース等、垂直及び水平の両方向で対称なナビゲーション装置によく適している。

40

【0069】

(次元と無関係なナビゲーション)

これまでに記述した多くの実施形態において、および、特に左右対称の複数のボタンを備えたこれらの実施形態において、論理的ボタンの機能は、そのボタンの物理的位置に対応している。すなわち、論理的次元は物理的次元を示す。しかしながら、本発明の別の実施形態は、ユーザーインタフェース装置の機能をさらに拡張するために物理的次元と論理的次元の間の関係を壊す。

【0070】

左右対称の複数のボタンは、(装置の論理的ボタンの全てを含んでも含まなくてもよい)論理的ボタンとそれらと物理的に等価なもの(プッシュボタン、ホイール又はドッグボ

50

ーン)との組み合わせであり、後者は多次元方法で装置上に物理的に配置され、ボタンの機能が論理的に相互関係をもち物理的レイアウトから確定されることを意味する。例えば、異なる物理的構成で配置された4つのボタンからなる図20Aと図20Bを考える。これらの実施形態はどちらも同じボタンを有しているが、図20Aのボタンは2つの軸に沿って多次元的に配置される(UPとDOWNは垂直に配置され、一方、LEFTとRIGHTは水平に配置される)。これに対して、図20Bのボタンは、単一の水平軸に沿って1次的に配置される。図20Aの各ボタンの機能は、物理的レイアウトに結果であるが、ボタン間の相互関係によって示される。しかしながら、図20Bのボタン機能は不確定である。例えば、図20Cのボタンレイアウトに関しては、明確なラベルがない点を除いて図20Aのレイアウトと似ているが、これらのボタンの各々の機能は、相互に関係があると自然に推定でき(AとCは反対の関係で、BとDは反対の関係で、前者は垂直軸に関連するのに対して後者は水平軸に関連する。)、さらに、各ボタンと関係のある方向への動作に対応する。しかしながら、図20Dのボタンレイアウトは、明確なラベルがない点を除いて図20Bのレイアウトと似ているが、相互関係の示唆又は機能が2次元(垂直と水平)の動きと関連があるという示唆を与えない。

10

【0071】

確かに、図20A及び図20Cの4ボタン“ひし形”配置及びこれらと等価のもの(例えば、ロッキングホイールとロッキングドッグボーンを含む。)は水平軸及び垂直軸に沿った多次元動作を強力に示唆するため、この機能は自動的に推測されることが多い。その上、(水平及び垂直の配置等の)ボタン間の物理的関係は、これらのボタンに内在する(水平及び垂直の動き等の)機能に対応すると容易に推測される。また、(X、Y及び軸及び様々な対角線との関係で)空間内の多次元動作を自動的に推測させる多次元性を有する従来の技術は、分かりにくい。例えば、図21Aの“コンパス”ボタン配置を考える。この配置は、類似する図21Bと図21Cの配置によって明白に示されるように、ラベルがなくても、2次元空間内の4つの軸に沿った方向と関連があると自然に推測させる。しかしながら、多くのユーザナビゲーションコンテキストにおいては、単にボタンの物理的関係に基づいて相互に関係付けられた機能は、例えば、垂直動作は重要であるが、水平動作は重要でないとき、および、その逆のときには、最大限の効率を発揮しないかもしれない。

20

【0072】

多様なコンテキストでのシングルユーザーインタフェース装置の汎用性及び適用性を最大にするために、本発明の別の実施形態は、非対称的(対称的でない)に関連付けられた(すなわち、論理的には互いに無関係)論理的ボタンに対応する(物理的には互に関連している)左右対称の複数ボタンから成る。例えば図7Aの配置等の4ボタン多次元配置の本発明の一実施形態においては、垂直ボタンは垂直動作と対応するが、水平ボタンは、水平動作以外のこと(この場合は、ENTERとOUT)と対応する。同様に、本発明の別の実施形態においては、水平ボタンは水平動作と対応し、垂直ボタンは垂直動作以外のことと対応する。さらにもう一つの実施形態においては、水平ボタンは、水平動作以外のことと対応し、垂直ボタンは、垂直動作以外のことと対応する。この方法を使う別の実施形態は、多様な対称の複数性を備え、それは、制限はなく、4ボタンダひし形配置、8ボタンコンパス配置、(スーパードッグボーンと)ロッキングボーン、(スーパーホイールと)ロッキングホイール、D-Pad、ジョイスティック、様々なボタン配置、及び/又は、前述のもの及びそれらと等価なものの組み合わせを含む。さらに、本方法は、2次元の物理的又は論理的な実施形態に限定されず、物理的要素と論理的機能に関する真の多次元性を備える。

30

40

【0073】

(結論)

本明細書に記載された様々な技術は、ハードウェア又はソフトウェア、あるいは、それらを適宜組み合わせることによって実行される。したがって、本発明の方法及び装置、又は、そのいくつかの態様又は部分は、フロッピーディスク、CD-ROM、ハードドライブ

50

、その他の機械により読み出しが可能な記憶媒体等の有形の媒体内で具現化されるプログラム（命令等）という形をとり、そこで、プログラムコードがコンピュータ等の機械に格納され、実行されると、その機械は、本発明を実行する装置になる。プログラム可能なコンピュータ上でプログラムコードが実行される場合には、コンピュータは、一般的に、プロセッサ、プロセッサによって読むことができる記憶媒体（揮発性メモリ及び不揮発性メモリ及び／又は記憶要素）、すくなくとも一つの入力装置、少なくとも一つの出力装置を含む。1又は複数のプログラムは、望ましくは、高レベルの手続き型のプログラム言語又はオブジェクト指向のプログラム言語で実行され、コンピュータシステムと通信を行う。しかしながら、プログラムは、必要ならば、アセンブリ又は機械語で実行される。いずれにせよ、言語は、コンパイル又はインタプリットされ、ハードウェア実装と結合する。 10

【0074】

本発明の方法と装置は、いくつかの伝送媒体、例えば、電気配線又はケーブル線上、又は光ファイバーを通して、又は、その他の伝送形式等で伝送され、そこで、EPROM、ゲートアレイ、プログラマブルロジックデバイス（PLD）、クライアントコンピュータ、ビデオレコーダ等の機械がプログラムコードを受信し、格納し、実行すると、機械は、本発明を実行する装置になる。プログラムコードが汎用プロセッサに実装されると、プログラムコードは、プロセッサと結合して、本発明のインデキシング機能を達成するために機能する独自の装置を提供する。

【0075】

本発明を、各種図面の実施形態と関連させて説明したが、その他の類似の実施形態が使用でき、又、本発明の機能と同じ機能を達成するために、ここから逸脱することなく、記述された実施形態に対して変更又は追加を加えることができる。例えば、本発明の一実施形態は、パーソナルコンピュータの機能をエミュレートするデジタルデバイスのコンテキストで記述されるが、当業者であれば、本発明がそのデジタルデバイスに限定されないことを認識するであろう。また本発明をゲーム機、ハンドヘルドコンピュータ、ポータブルコンピュータ、モバイルフォン、時計、音楽プレーヤー、特定の機械的装置等の現存又は新生のコンピュータ装置又はコンピュータ環境に適用することができ、有線であろうと無線であろうと、通信ネットワークを介して接続され又はネットワークを横切って相互に作用し合うコンピュータ装置にも適用することができる。さらに、例えば、“ボタン”（そして、本明細書において使用されているその他の物理的装置）は、特定の間工学的な効果を上げるために、大きさ、形、間隔等を変えることができる。同様に、各ボタンは、単語、シンボルでラベル付けがされているか、又は、まったラベル付けがされず、また、ボタンに、異なるカラー、形、その他の特徴をつけることにより、区別する（又は区別しない）。 20 30

【0076】

特にワイヤレスネットワーク装置の数が増大し続けているため、ハンドヘルドデバイスオペレーティングシステムやその他のアプリケーション固有のオペレーティングシステムを含む様々なコンピュータプラットフォームが本明細書では意図されることを強調しなければならない。したがって、本発明は、単一の実施形態に限定されるべきではなく、添付の特許請求の範囲に基づいた広さ及び範囲で構築されるべきである。 40

【図面の簡単な説明】

【0077】

【図1】本発明の態様が組み込まれたコンピュータシステムを示すブロック図である。

【図2】本発明の態様が組み込まれたネットワークを示すブロック図である。

【図3A】本発明の一部の実施形態におけるENTERボタンのロジックを示すフローチャートである。

【図3B】本発明の一部の実施形態におけるENTERボタンのロジックを示すフローチャートである。

【図4A】本発明の一部の実施形態におけるUPボタンのロジックを示すフローチャートである。

【図 4 B】本発明の一部の実施形態における UP ボタンのロジックの変形例を示すフローチャートである。

【図 5 A】本発明の一部の実施形態における DOWN ボタンのロジックを示すフローチャートである。

【図 5 B】本発明の一部の実施形態における DOWN ボタンのロジックの変形例を示すフローチャートである。

【図 6 A】本発明の一部の実施形態における OUT ボタンのロジックを示すフローチャートである。

【図 6 B】本発明の一部の実施形態における OUT ボタンの方法のより複雑なロジックを示すフローチャートである。

10

【図 7 A】本発明の一部の実施形態における 4 ボタン配置を示す図である。

【図 7 B】垂直に 4 ボタンを配置した本発明の別の実施形態を示す図である。

【図 7 C】水平にボタンを配置した本発明の別の実施形態を示す図である。

【図 7 D】改良された垂直方法でボタンを配置した本発明の別の実施形態を示す図である。

【図 7 E】本発明の一部の実施形態における別の 4 ボタン配置を示す図である。

【図 8 A】本発明の一部の実施形態におけるホイール／ボタンを示す図である。

【図 8 B】本発明の一部の実施形態におけるホイール／ボタンの実施形態の別のレイアウトを示す図である。

【図 8 C】本発明の一部の実施形態におけるホイール／ボタンの組み合わせの実施形態の別のレイアウトを示す図である。

20

【図 9】クリッキングホイールを示す図である。

【図 10】ロックリングホイールを示す図である。

【図 11 A】本発明の一部の実施形態のドッグボーン／ボタンの組み合わせを示す図である。

【図 11 B】本発明の一部の実施形態におけるドッグボーン／ボタンの実施形態の別のレイアウトを示す図である。

【図 11 C】本発明の一部の実施形態におけるドッグボーン／ボタンの実施形態の別のレイアウトを示す図である。

【図 12】クリッキングドッグボーンを示す図である。

30

【図 13】ロックリングドッグボーンを示す図である。

【図 14 A】スーパーホイールを使用する本発明の一実施形態を示す図である。

【図 14 B】スーパードッグボーンを使用する本発明の一実施形態を示す図である。

【図 15 A】9 ボタン装置を示す図である。

【図 15 B】8 ボタン装置を示す図である。

【図 15 C】図 15 A の各ボタンの直接コマンド（又は論理の入力）をリストアップした表である。

【図 16 A】右側にロックリングドッグボーンを取り付けた「右手用の縦」方向の表示装置を示す図である。

【図 16 B】90 度（1 / 2）右に回転して「下側横」方向にした後の図 16 A の装置を示す図である。

40

【図 16 C】さらに 90 度右（全部で 180 度、又は、1 / 2 右に）回転して「左手用の縦」にした図 16 B の装置を示す図である。

【図 16 D】さらに 90 度右（全部で 270 度、又は、3 / 4 右に）回転して「上側の横」にした図 16 C の装置を示す図である。

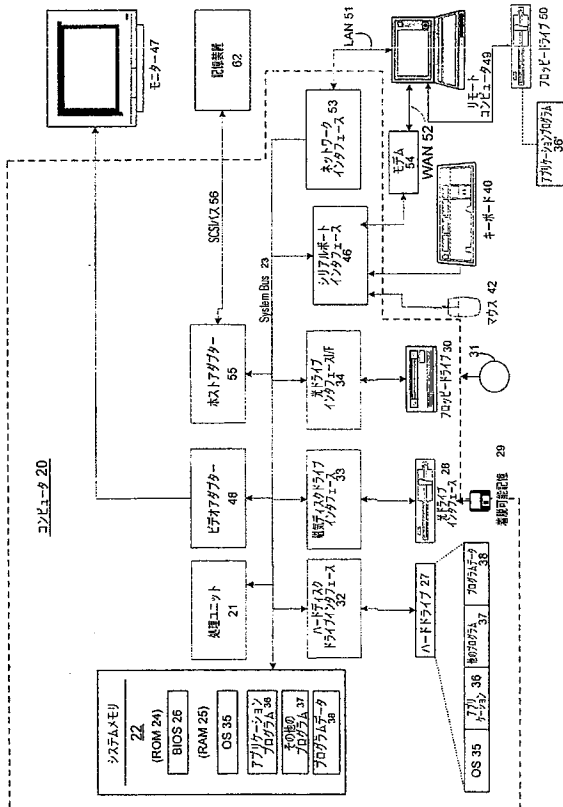
【図 17】論理的ボタンをこれらの方向に依存した特別のコマンドに対応するように固定ナビゲーション装置の論理的回転スキームを使用する本発明の一部の実施形態を示す表である。

【図 18 A】装置の底部に組み込まれたロックリングドッグボーンを備え、「フロントエンド長手」方向にした別の表示装置を示す図である。

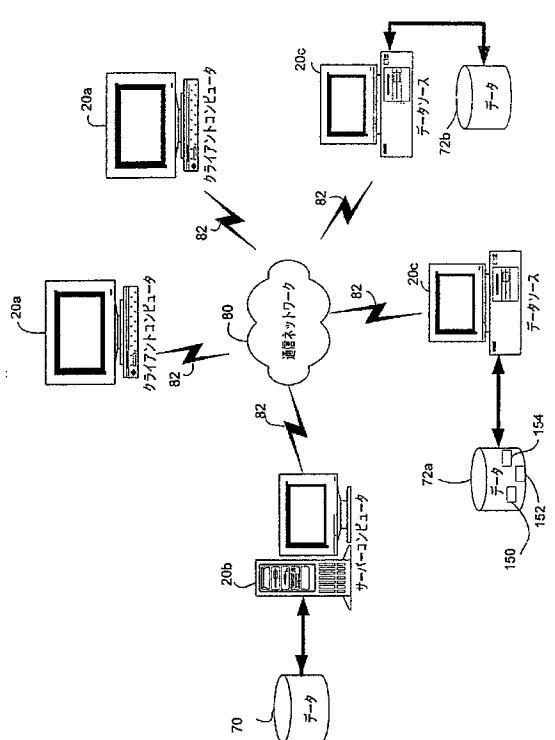
50

- 【図18B】 右に1/4回転させた図18Aの装置を示す図である。
- 【図18C】 右に1/2回転させた図18Aの装置を示す図である。
- 【図18D】 右に3/4回転させた図18Aの装置を示す図である。
- 【図19A】 回転可能ナビゲーション装置を備えた右手用縦方向(元の方向)の表示装置を示す図である。
- 【図19B】 回転可能なナビゲーション装置が表示装置の視野から90度右に回転し同じ絶対的な方向を保ちながら、右に90度回転した表示装置を示す図である。
- 【図19C】 ナビゲーション装置が同じ絶対的方向を保つ点を除いて、さらに90度回転した図19Bの装置を示す図である。
- 【図19D】 ナビゲーション装置が同じ絶対的方向を保つ点を除いて、さらに90度回転した図19Bの装置を示す図である。
- 【図20A】 ひし形に配置された4ボタンを示す図である。
- 【図20B】 直線方向に配置された4ボタンを示す図である。
- 【図20C】 ラベルがない図20Aのボタンを示す図である。
- 【図20D】 ラベルがない図20Bのボタンを示す図である。
- 【図21A】 ラベルがなく、「コンパス」に配置された8ボタンを示す図である。
- 【図21B】 方向ラベルを備えた図21Aのボタンを示す図である。
- 【図21C】 コンパスラベルを備えた図21Aのボタンを示す図である。

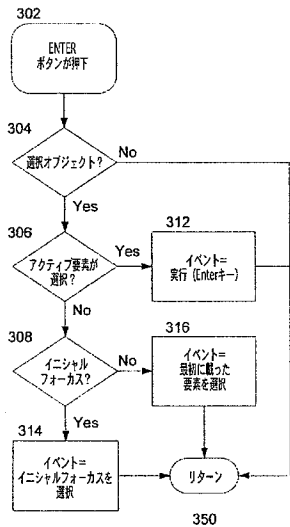
【図1】



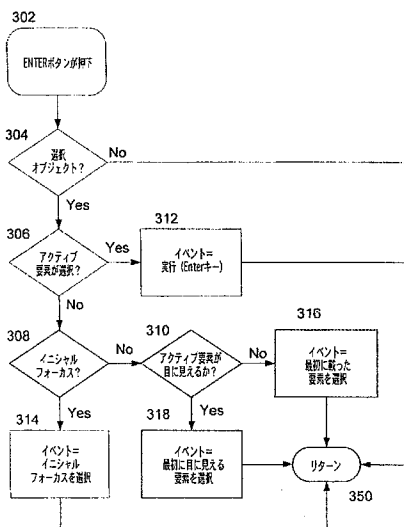
【図2】



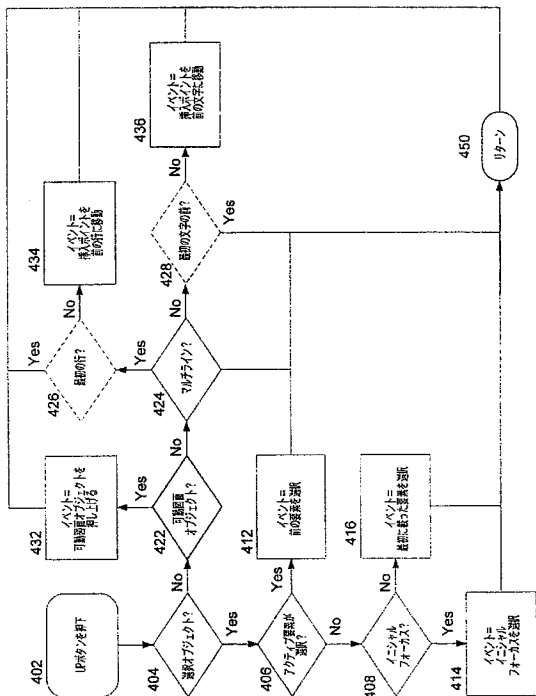
【図3A】



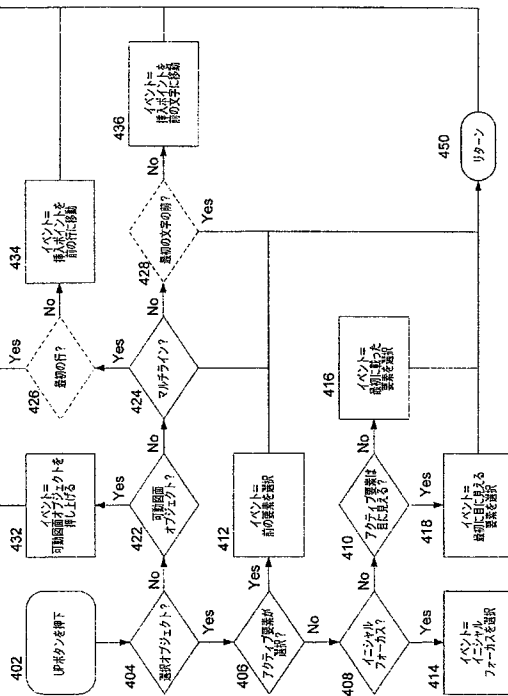
【図3B】



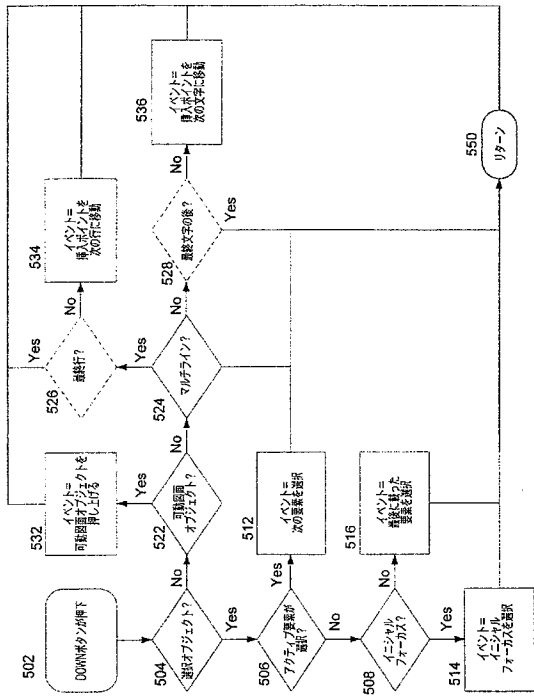
【図4A】



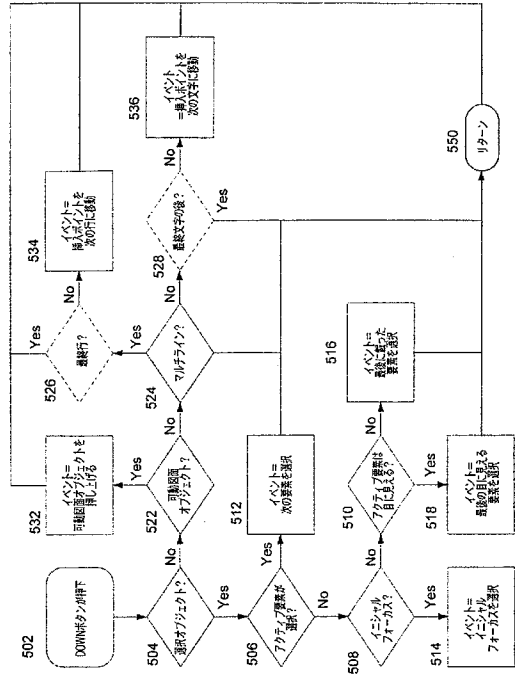
【図4B】



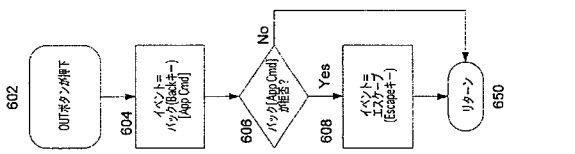
【図 5 A】



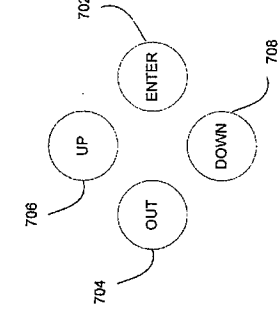
【図 5 B】



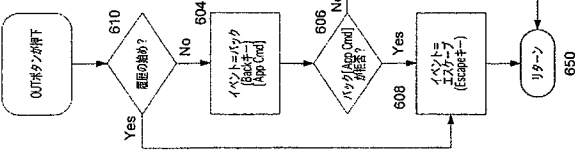
【図 6 A】



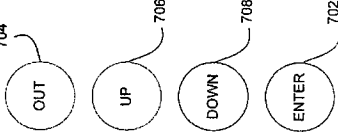
【図 7 A】



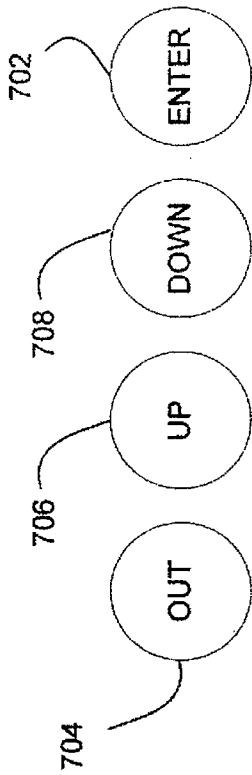
【図 6 B】



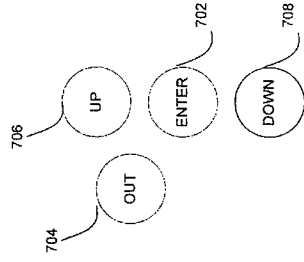
【図 7 B】



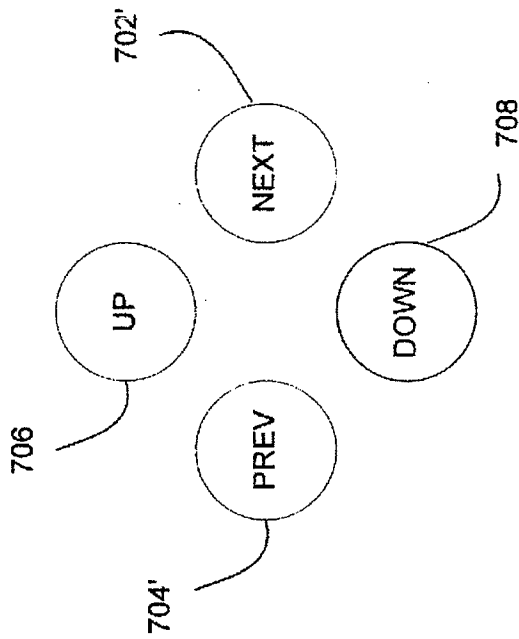
【図7C】



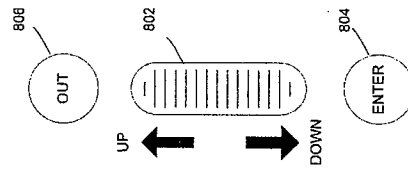
【図7D】



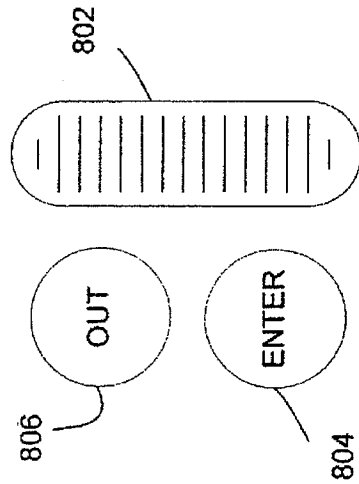
【図7E】



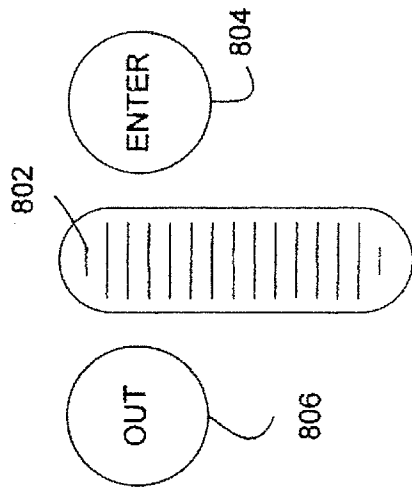
【図8A】



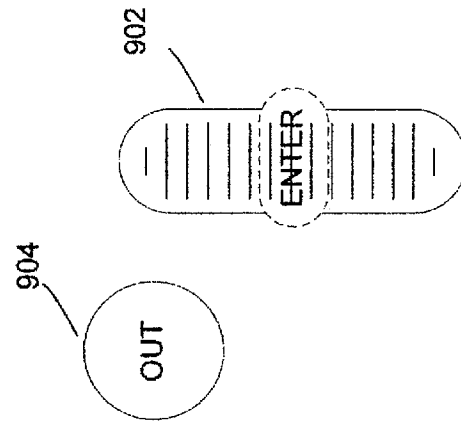
【図8B】



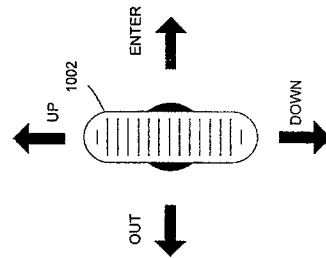
【図 8 C】



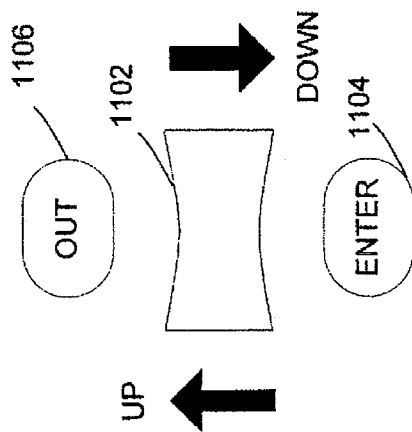
【図 9】



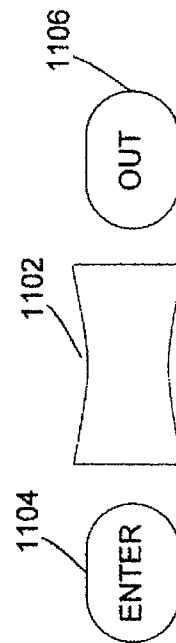
【図 10】



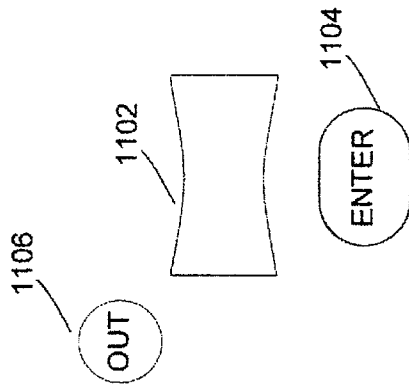
【図 11 A】



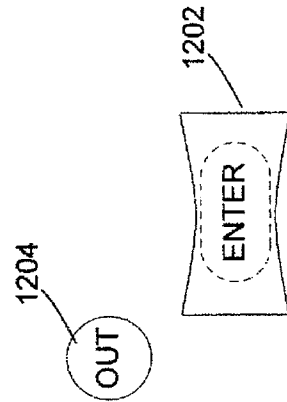
【図 11 B】



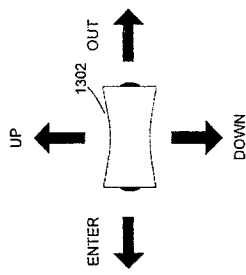
【図 1 1 C】



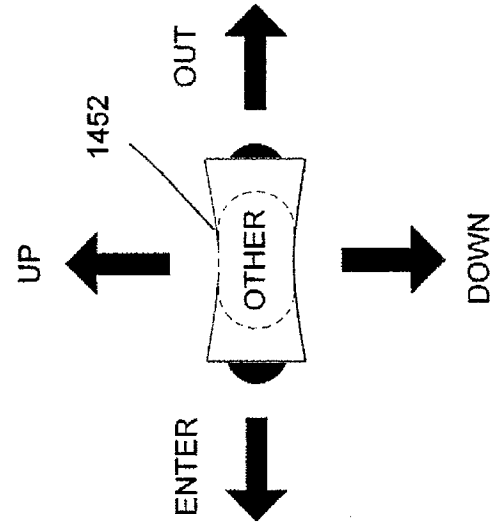
【図 1 2】



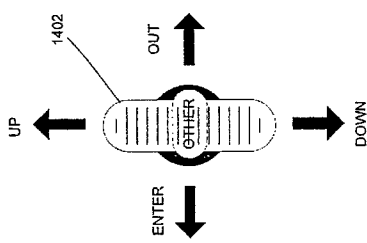
【図 1 3】



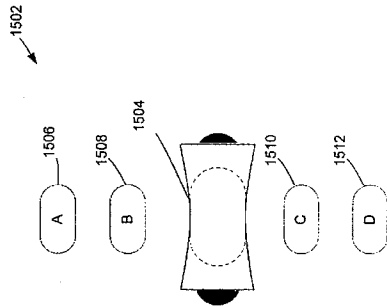
【図 1 4 B】



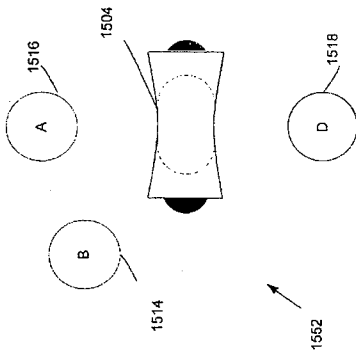
【図 1 4 A】



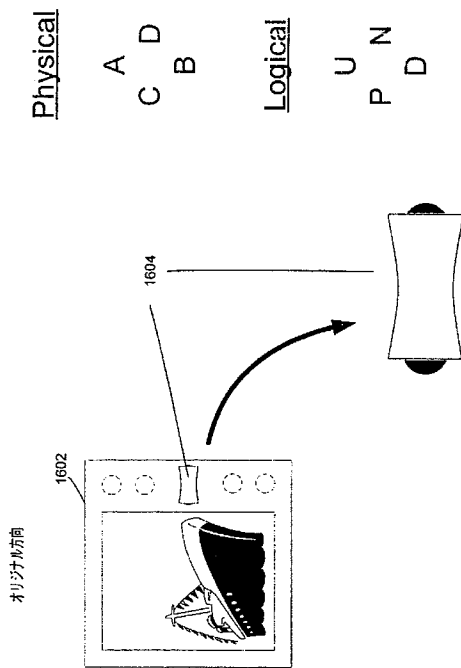
【図 15 A】



【図 15 B】



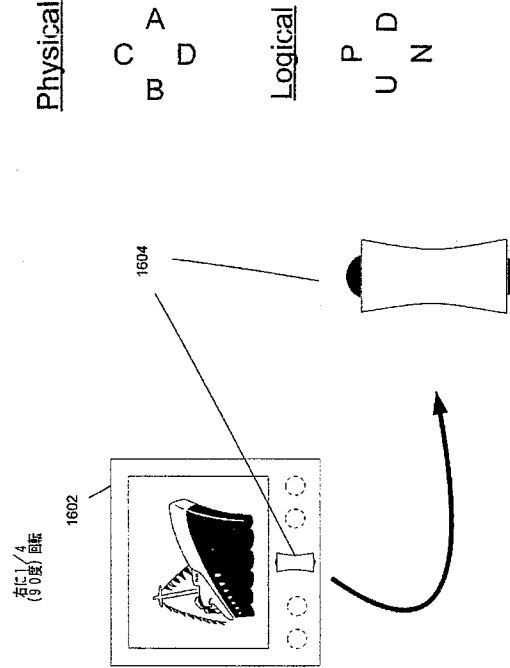
【図 16 A】



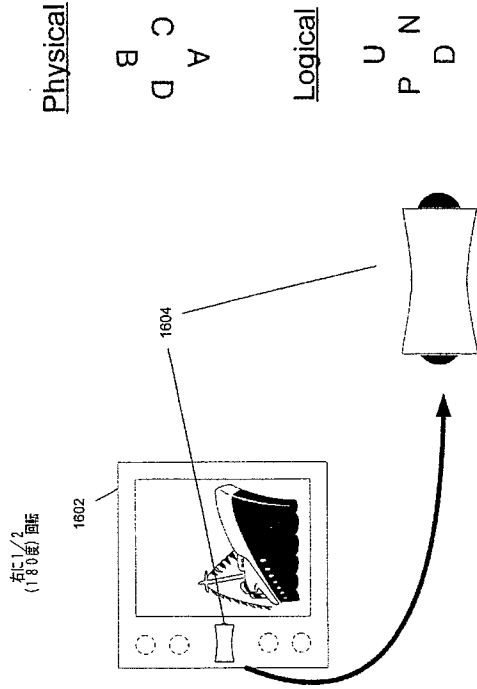
【図 15 C】

論理的 ボタン	起動	イベント	キーボード
SDB	Roll Up	UP	Up (arrow)
SDB	Roll Down	DOWN	Down (arrow)
SDB	Rock Left	PREV	Alt-Tab
SDB	Rock Right	NEXT	Tab
SDB	Press (Click)	ENTER	Enter
Button A	Press	SWITCH	Alt-Esc
Button B	Press	OUT	Back/Esc
Button C	Press	ENTER	Enter
Button D	Press	MORE	Shift-F10

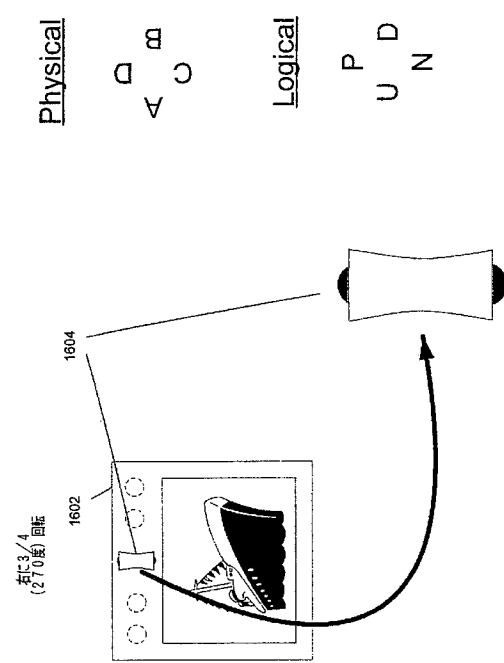
【図 16 B】



【図16C】



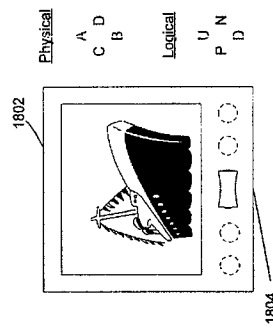
【図16D】



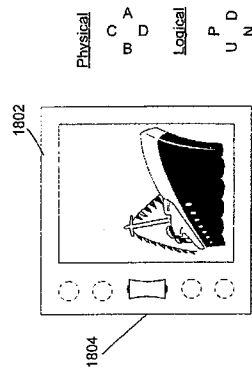
【図17】

物理的方向:	回転に基づいた論理的方向			
	オリジナル	90度	180度	270度
A	U	D	D	U
B	D	U	U	D
C	P	P	N	N
D	N	N	P	P

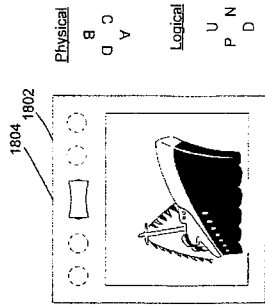
【図18A】



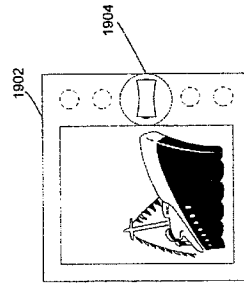
【図18B】



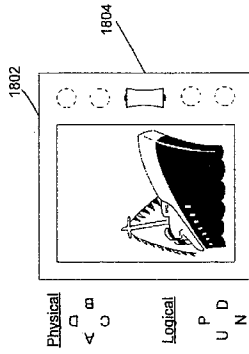
【 18 C】



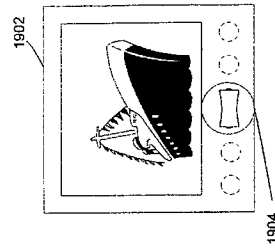
【 19 A】



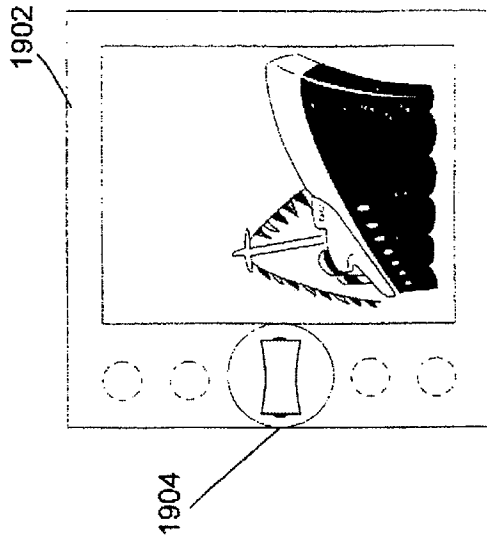
【 18 D】



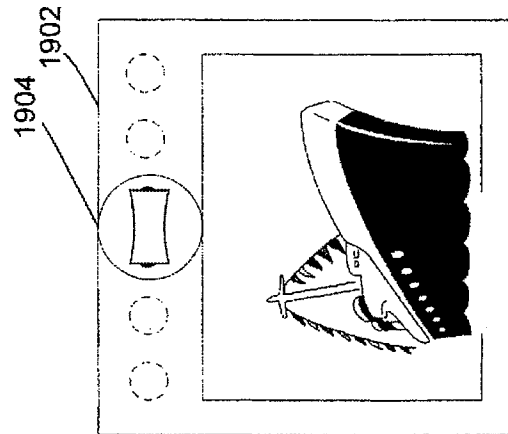
【 19 B】



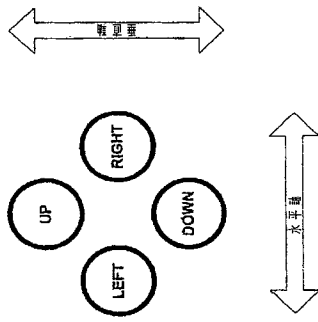
【 19 C】



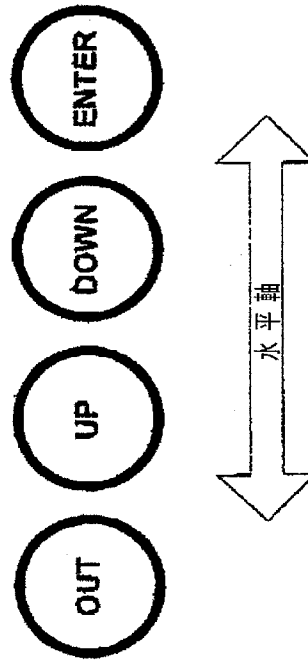
【 19 D】



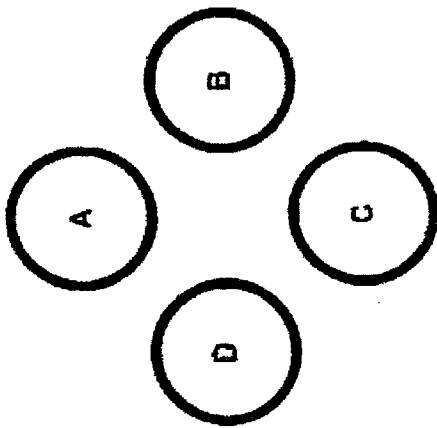
【図 20 A】



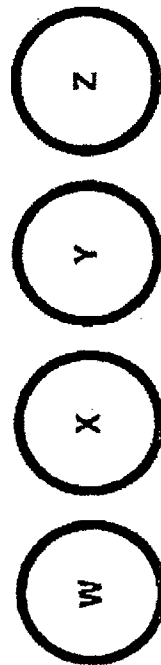
【図 20 B】



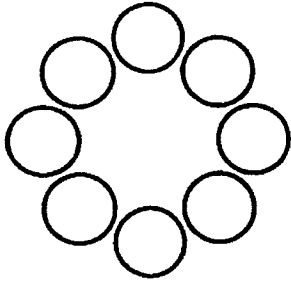
【図 20 C】



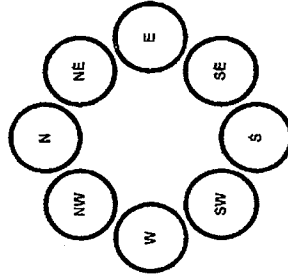
【図 20 D】



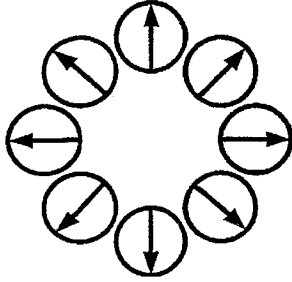
【図 2 1 A】



【図 2 1 C】



【図 2 1 B】



【国際調査報告】

INTERNATIONAL SEARCH REPORT		International application No. PCT/US03/39796																		
A. CLASSIFICATION OF SUBJECT MATTER IPC(7) : G09G 5/03 US CL : 715/707 According to International Patent Classification (IPC) or to both national classification and IPC																				
B. FIELDS SEARCHED Minimum documentation searched (classification system followed by classification symbols) U.S. : 715/700, 804 Documentation searched other than minimum documentation to the extent that such documents are included in the fields searched Electronic data base consulted during the international search (name of data base and, where practicable, search terms used)																				
C. DOCUMENTS CONSIDERED TO BE RELEVANT <table border="1"> <thead> <tr> <th>Category *</th> <th>Citation of document, with indication, where appropriate, of the relevant passages</th> <th>Relevant to claim No.</th> </tr> </thead> <tbody> <tr> <td>X</td> <td>US 5,237,654 (SHACKLEFORD et al) 17 August 1993 (17.08.1993).</td> <td>1,35</td> </tr> <tr> <td>---</td> <td></td> <td>-----</td> </tr> <tr> <td>Y</td> <td></td> <td>2-34,36-41</td> </tr> <tr> <td>Y</td> <td>US 6,378,234 B1 (LUO) 30 April 2002 (30.04.2002).</td> <td>2-34,36-41</td> </tr> <tr> <td>Y</td> <td>US 6,161,158 (MOGAKI) 12 December 2000 (12.12.2000).</td> <td>37-39</td> </tr> </tbody> </table>			Category *	Citation of document, with indication, where appropriate, of the relevant passages	Relevant to claim No.	X	US 5,237,654 (SHACKLEFORD et al) 17 August 1993 (17.08.1993).	1,35	---		-----	Y		2-34,36-41	Y	US 6,378,234 B1 (LUO) 30 April 2002 (30.04.2002).	2-34,36-41	Y	US 6,161,158 (MOGAKI) 12 December 2000 (12.12.2000).	37-39
Category *	Citation of document, with indication, where appropriate, of the relevant passages	Relevant to claim No.																		
X	US 5,237,654 (SHACKLEFORD et al) 17 August 1993 (17.08.1993).	1,35																		
---		-----																		
Y		2-34,36-41																		
Y	US 6,378,234 B1 (LUO) 30 April 2002 (30.04.2002).	2-34,36-41																		
Y	US 6,161,158 (MOGAKI) 12 December 2000 (12.12.2000).	37-39																		
<input type="checkbox"/> Further documents are listed in the continuation of Box C.		<input type="checkbox"/> See patent family annex.																		
* Special categories of cited documents: "A" document defining the general state of the art which is not considered to be of particular relevance "E" earlier application or patent published on or after the international filing date "L" document which may throw doubts on priority claim(s) or which is cited to establish the publication date of another citation or other special reason (as specified) "O" document referring to an oral disclosure, use, exhibition or other means "P" document published prior to the international filing date but later than the priority date claimed		"T" later document published after the international filing date or priority date and not in conflict with the application but cited to understand the principle or theory underlying the invention "X" document of particular relevance; the claimed invention cannot be considered novel or cannot be considered to involve an inventive step when the document is taken alone "Y" document of particular relevance; the claimed invention cannot be considered to involve an inventive step when the document is combined with one or more other such documents, such combination being obvious to a person skilled in the art "&" document member of the same patent family																		
Date of the actual completion of the international search 10 November 2004 (10.11.2004)		Date of mailing of the international search report 06 DEC 2004																		
Name and mailing address of the ISA/US Mail Stop PCT, Attn: ISA/US Commissioner for Patents P.O. Box 1430 Alexandria, Virginia 22313-1430 Facsimile No. (703) 305-3230		Authorized officer Kristine L Kincaid Telephone No. (703) 305-3900																		

Form PCT/ISA/210 (second sheet) (July 1998)

フロントページの続き

(81)指定国 AP(BW, GH, GM, KE, LS, MW, MZ, SD, SL, SZ, TZ, UG, ZM, ZW), EA(AM, AZ, BY, KG, KZ, MD, RU, TJ, TM), EP(AT, BE, BG, CH, CY, CZ, DE, DK, EE, ES, FI, FR, GB, GR, HU, IE, IT, LU, MC, NL, PT, RO, SE, SI, SK, TR), OA(BF, BJ, CF, CG, CI, CM, GA, GN, GQ, GW, ML, MR, NE, SN, TD, TG), AE, AG, AL, AM, AT, AU, AZ, BA, BB, BG, BR, BW, BY, BZ, CA, CH, CN, CO, CR, CU, CZ, DE, DK, DM, DZ, EC, EE, EG, ES, FI, GB, GD, GE, GH, GM, HR, HU, ID, IL, IN, IS, JP, KE, KG, KP, KR, KZ, LC, LK, LR, LS, LT, LU, LV, MA, MD, MG, MK, MN, MW, MX, MZ, NO, NZ, OM, PG, PH, PL, PT, RO, RU, SC, SD, SE, SG, SK, SL, SY, TJ, TM, TN, TR, TT, TZ, UA, UG, UZ, VC, VN, YU, ZA, ZM, ZW

(特許庁注：以下のものは登録商標)

WINDOWS

フロッピー

- (72)発明者 ウィリアム ホン ヴォン
アメリカ合衆国 98144 ワシントン州 シアトル レイク ワシントン ブールバード サウス 917
- (72)発明者 リーロイ ビー. ケリー
アメリカ合衆国 94028 カリフォルニア州 ポルトラ バレー ガバルダ ウェイ 210
- (72)発明者 バービー イー. ティースリー
アメリカ合衆国 98826 ワシントン州 リーブンワース プロスペクト ストリート 651
- (72)発明者 アダム ジェイ. リチャードソン
アメリカ合衆国 94068 カリフォルニア州 オークランド 59 ストリート 840
- (72)発明者 マイケル エイチ. ツァン
アメリカ合衆国 98006 ワシントン州 ベルビュー サウス イースト 45 プレイス 15818
- Fターム(参考) 5E501 AA01 AC23 AC24 CA02 CB02 CB09 DA07 FA05